

NOTICE
 THIS DRAWING IS THE PROPERTY OF QUALITROL COMPANY LLC AND IS LOANED ONLY ON THE CONDITION THAT IT WILL BE USED TO FACILITATE THE PURPOSE FOR WHICH INTENDED AND NOT BE REPRODUCED, COPIED OR OTHERWISE DISPOSED OF, AND IS NOT TO BE USED IN WHOLE OR PART FOR FURNISHING INFORMATION RELATIVE TO THE MAKING OF DRAWINGS, PARTS APPARATUS OR PARTS THEREOF, EXCEPT BY WRITTEN ORDER FROM QUALITROL COMPANY LLC.

MODEL NO.

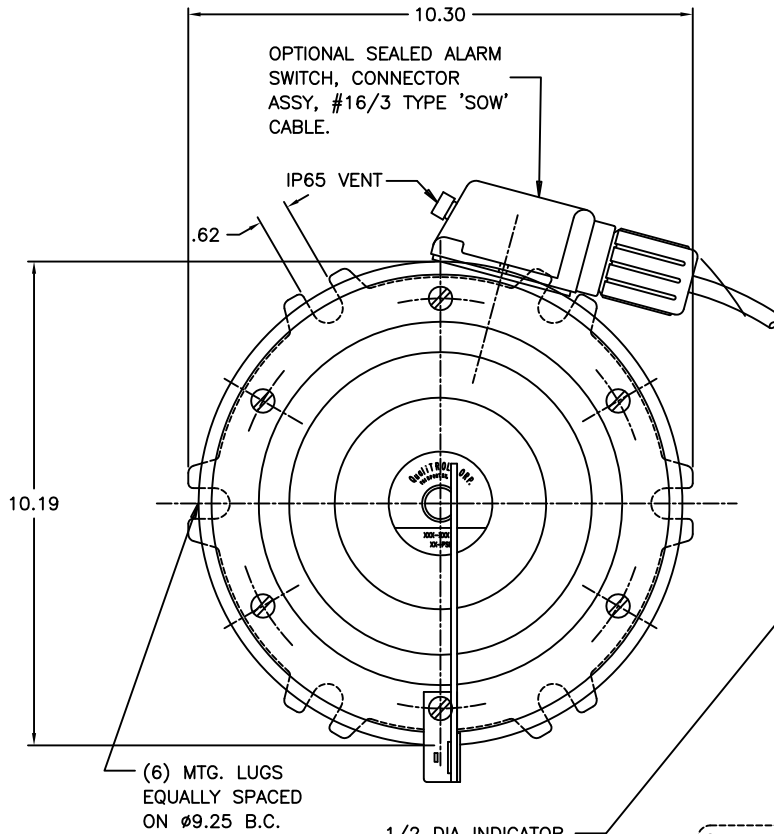
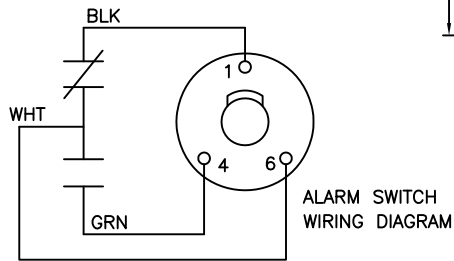
208-60

NOTES:

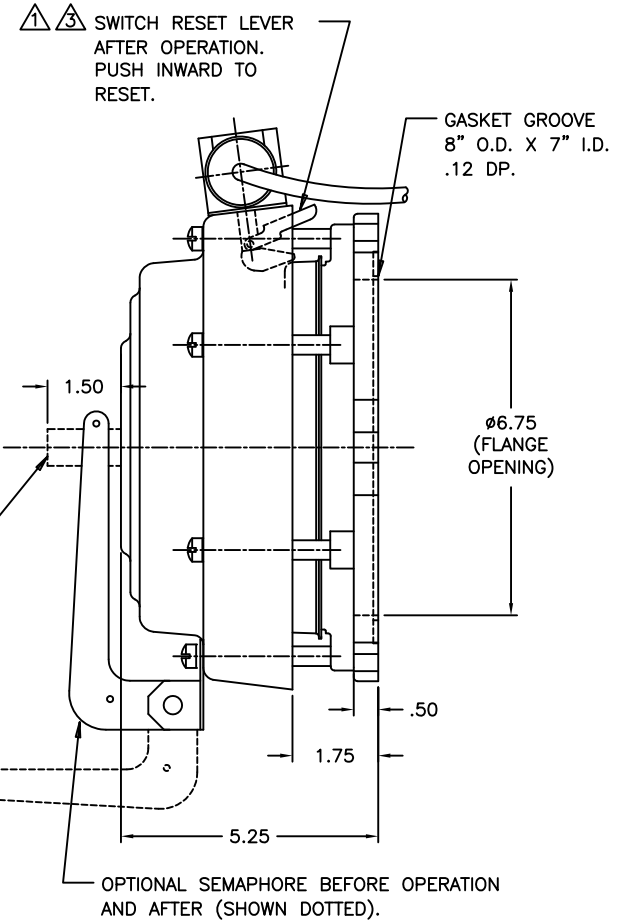
1. BLACK AND WHITE ARE NORMALLY CLOSED WHEN ALARM SWITCH IS MOUNTED AND ARMED AS SHOWN.
2. WHEN DEVICE OPERATES: BLACK AND WHITE ARE OPEN GREEN AND WHITE ARE CLOSED
3. WHEN THE SWITCH RESET LEVER IS MAN. DEPRESSED: BLACK AND WHITE ARE CLOSED GREEN AND WHITE ARE OPEN
4. FINISH: ASA #70 LT GRAY EPOXY

SWITCH RATINGS:

ENEC/CQC: 11(3) A, 125/250 VAC
 UL/cUL: 11(3) A, 125/250 VAC
 UL FILE#: E12252



1/2 DIA INDICATOR NORMALLY FLUSH --- EXTENDS AS SHOWN DOTTED AFTER DEVICE HAS OPERATED TO RESET...PUSHDOWN.



SHEET 1 OF 3

LET	DATE	ALTERATION	C.N.
-	7-9-13	ADDED IP65 VENT TO ALARM SWITCH	31508
-	5-30-12	UPDATED SWITCH DESIGN	30164

QUALITROL

DIMENSIONS AND TOLERANCES IN ACCORDANCE WITH ASME Y14.5M-1994

PH. (585) 586-1515
 FAX (585) 377-0220

1385 FAIRPORT ROAD
 FAIRPORT, NY 14450
 FORM 0-473 REV. F 04/06/06

TITLE: PRESSURE RELIEF DEVICE

MODEL NO. 208-60