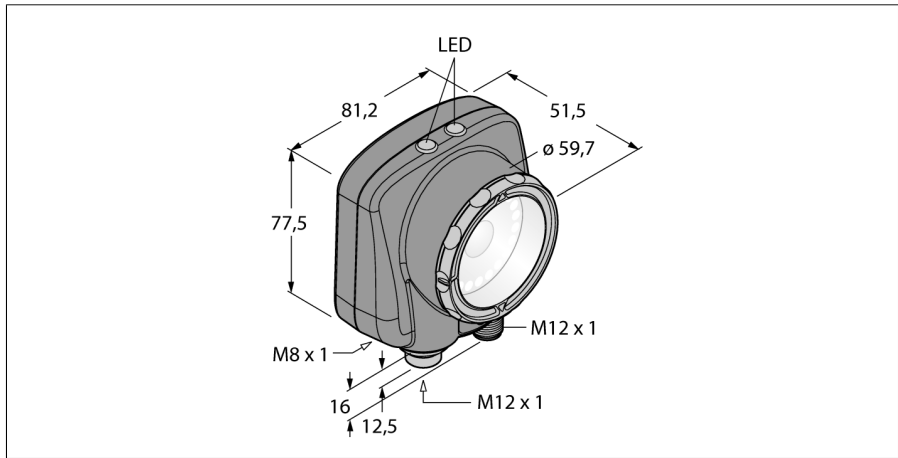


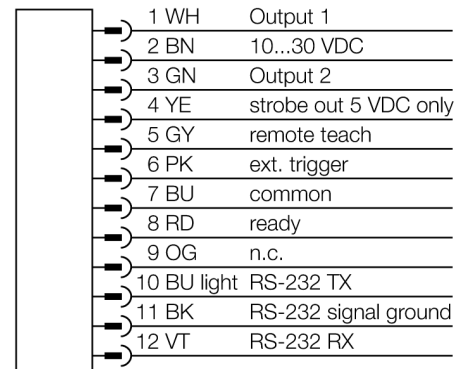
Vision systems
area, blemish, match
IVURGPG08



- 1/3" CMOS, 752x480 pixels
- Integrated ring light: green
- Protection class IP67
- External strobe output + 5 VDC
- External trigger input
- Lens, 8mm, M12x1
- External display RD35 required
- Operating voltage: 10...30 VDC
- M12 x 1 male, 12-pole
- 2xPNP switching output
- 1x RS232 data communication
- USB-2.0 host: M8 female, 4-pole

Type code	IVURGPG08
Ident no.	3082338
Design	rectangular, iVu
Dimensions	51.5 x 81.2 x 95.3 mm
Housing material	plastic, PBT
Window material	Acrylic, clear
Connection	male, M12 x 1, 8-wire
Protection class	IP67
Ambient temperature	0...+50 °C
Power on display	LED, green
Switching state	LED green
Error indication	LED red
Operating voltage	10...30VDC
DC rated operational current	≤ 500 mA
Short-circuit protection	yes/ cyclic
Reverse polarity protection	yes
Switch element function	NO contact, PNP
Output current	≥ 150 mA
Operating mode	gray value
Bildsensor	CMOS
Auflösung	752 x 480 Pixel
Bildfrequenz	100 fps
Light type	green
Brennweite	8 mm

Wiring diagram



Functional principle

Sensor with 3 integrated operation modes:

1. Pattern recognition, checks if a pattern on a target is identical to the reference pattern.
2. BLOB recognition, for recognition of one or more features.
3. BLOB and location tool for motion control.

Sensor configuration via PC is not required!
Transmission of log files and firmware updates via USB interface.



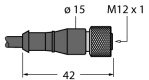
Selecting the focal length

With known object size or scan field the matching vision sensor is found simply by determining the ratio between the sensing range and the focal length. Use the graphics for selection. Here, the sensing ranges are put in relation to the field view and the lens focal length.

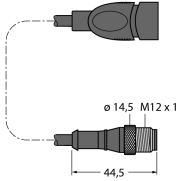
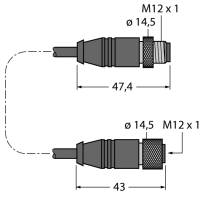
Accessories

Type code	Ident no.	Description	Dimension drawing
SMBIVURAR	3082547	Brackets for mounting on right side	 A technical drawing of a metal bracket for right-side mounting. It features a circular base with a central hole of diameter 25 mm and a smaller hole of diameter 7 mm. A vertical arm extends from the base, with a top hole of diameter 4.4 mm. Dimensions include a base diameter of 44 mm, a base thickness of 16.8 mm, a vertical arm height of 29.3 mm, a top hole offset of 16.8 mm, a total height of 78.1 mm, and a base width of 49 mm.
SMBIVURAL	3082546	Brackets for mounting on left side	 A technical drawing of a metal bracket for left-side mounting, which is a mirror image of the SMBIVURAR bracket. Dimensions include a base diameter of 44 mm, a base thickness of 16.8 mm, a vertical arm height of 29.3 mm, a top hole offset of 16.8 mm, a total height of 78.1 mm, and a base width of 49 mm.
SMBIVUU	3082549	U-bracket for base mounting (incl. SMBIVUB baseplate)	 A technical drawing of a U-shaped metal bracket. It has a base with a width of 61.2 mm and a height of 6.25 mm. The vertical arm has a height of 54 mm. There are eight mounting holes with a diameter of 5.35 mm. The distance between the mounting holes is 25.4 mm. The base has a width of 42 mm and a depth of 30 mm.
SMBIVUB	3082548	Baseplate to extend the installation	 A technical drawing of a metal baseplate. It has a width of 56.8 mm and a height of 23.8 mm. There are two M5 x 0.8 (2x) mounting holes. The distance between the mounting holes is 29 mm. The total length of the baseplate is 33.1 mm. A 1/4-20 UNC thread is indicated on the top surface.

Wiring accessories

Type code	Ident no.	Description	Dimension drawing
MQDC2S-1206	3011420	Power supply, M12x1 female, 12-pole, 1.83m	 A technical drawing of a power supply connector. It has a diameter of 15 mm and a length of 42 mm. The connector is labeled as M12 x 1.

Wiring accessories

Type code	Ident no.	Description	Dimension drawing
MQDEC-801-USB	3081158	USB adapter cable, M12x1 male, 8-pole, 0.3m	
IVURDM-QD-803	3028673	Remote Display, M12 x 1, 8-pin, 0.91 m	

Function accessories

Type code	Ident no.	Description	Dimension drawing
RDM35	3029512		