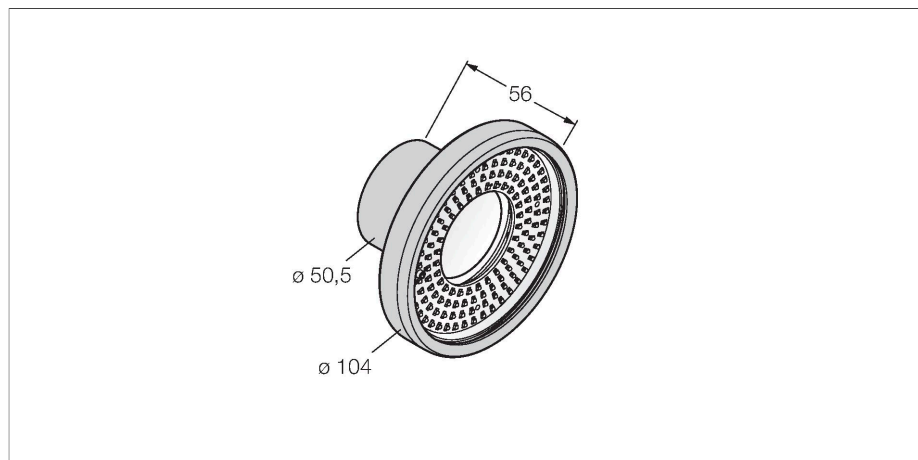


LEDIR90S-G

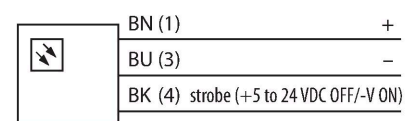
Vision System – ring light



Features

- Sealed aluminium housing
- Protection class: IP68
- Color: infrared
- Power supply: 24 VDC
- M8 x 1 connector

Wiring diagram



Technical data

Type	LEDIR90S-G
ID	3076790
Signal and display data	
Purpose	Image processing
Function	Area light
Light type	IR
Wavelength	850...940 nm
LED service life (L70)	50000 h
Special features	Wash down
Electrical data	
Operating voltage	24 VDC
DC rated operational current	≤ 250 mA
Max. current consumption per color	250 mA
Mechanical data	
Design	Rectangular
Dimensions	Ø 104 x 56 mm
Housing material	Metal, Nickel-plated aluminum
Window material	Glass, clear
Electrical connection	Connector, M8 × 1, PVC
Number of cores	3
Ambient temperature	0...+50 °C
Protection class	IP68
Tests/approvals	
Approvals	CE, cULus listed

Functional principle

Directly mounted to the sensor for easy setup. Illumination of objects directly in front of the sensor.