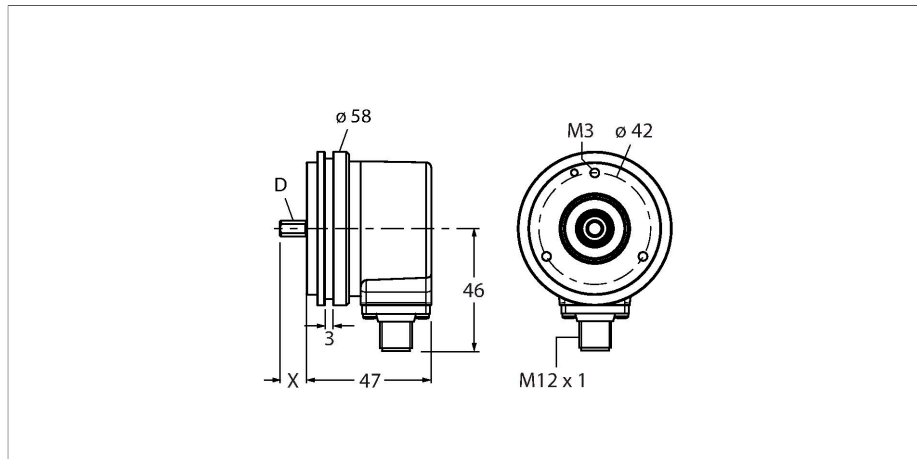


RI-10S10S-2B4096-H1181

Incremental Encoder

Industrial Line



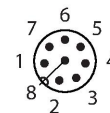
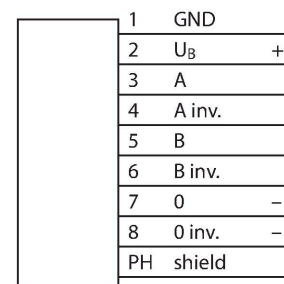
Features

- Synchro flange, Ø 58 mm
- Solid shaft, Ø 10 mm × 20 mm
- Optical measuring principle
- Shaft material: stainless steel
- Protection class IP67 on housing and shaft side
- -40...+85 °C
- Max. 6000 rpm (continuous operation 3000 rpm)
- 10...30 VDC
- Push-pull/HTL with inversion
- Pulse frequency max. 300 kHz
- M12 × 1 male, 8-pin
- 4096 pulses per revolution

Technical data

Type	RI-10S10S-2B4096-H1181
Ident. no.	1545216
Measuring principle	Photoelectric
Max. Rotational Speed	6000 rpm
Moment of inertia of the rotor	1.8 x 10 ⁻⁶ kgm ²
Starting torque	< 0.05 Nm
Ambient temperature	-40...+85 °C
Operating voltage	10...30 VDC
No-load current	≤ 100 mA
Output current	≤ 30 mA
Short-circuit protection	yes
Wire breakage/Reverse polarity protection	yes
Output function	Push-Pull/HTL, invertable
Output type	incremental
Resolution, incremental	4096 ppr
Pulse frequency max.	300 kHz
Signal level high	min. U _B - 1 V
Signal level low	max. 0.5 V
Design	Solid shaft
Flange type	Synchro flange
Flange diameter	Ø 58 mm
Shaft Type	Solid shaft
Shaft diameter D (mm)	10
Shaft length X	20 mm
Shaft material	Stainless steel
Housing material	Die-cast zinc

Wiring diagram



Technical data

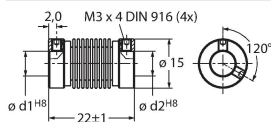
Electrical connection	Connectors, M12 × 1
	8-pin
Axial shaft load	50 N
Radial shaft load	100 N
Vibration resistance (EN 60068-2-6)	300 m/s ² , 10...2000 Hz
Shock resistance (EN 60068-2-27)	3000 m/s ² 6 ms
Protection class housing	IP67
Protection class shaft	IP67

Signal	Gnd	+U _e	A	A inv.	B	B inv.	0	0 inv.	Shield
Pin configuration	1	2	3	4	5	6	7	8	PH

Accessories

RCS-15-08-06

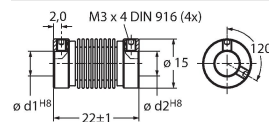
1545361



Bellows coupling, outer diameter:
15 mm, bore diameter: 8 mm/6 mm

RCS-15-06-06

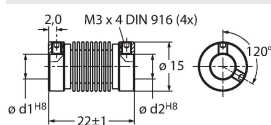
1545362



Bellows coupling, outer diameter:
15 mm, bore diameter: 6 mm/6 mm

RCS-15-06-04

1545363



Bellows coupling, outer diameter:
15 mm, bore diameter: 6 mm/4 mm