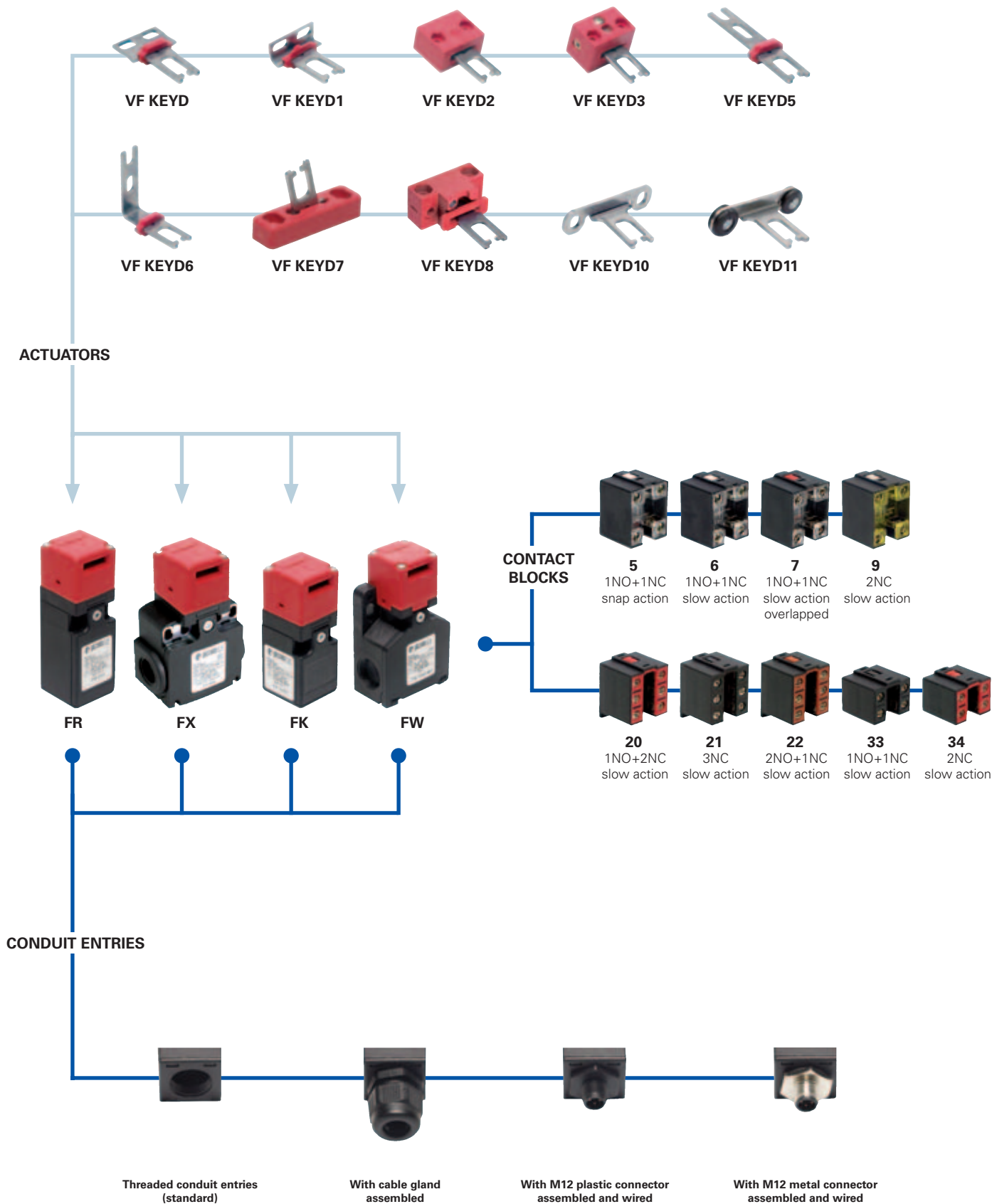


Selection diagram





## Code structure

**Attention!** The feasibility of a code number does not mean the effective availability of a product. Please contact our sales office.

article options  
**FR 693-E3D1XGM2K70**

Housing	
<b>FR</b>	polymer housing, one conduit entry
<b>FX</b>	polymer housing, two conduit entries
<b>FW</b>	polymer housing, three conduit entries

Contact blocks	
<b>5</b>	1NO+1NC, snap action
<b>6</b>	1NO+1NC, slow action
<b>7</b>	1NO+1NC, slow action overlapped
<b>9</b>	2NC, slow action
<b>20</b>	1NO+2NC, slow action
<b>21</b>	3NC, slow action
<b>22</b>	2NO+1NC, slow action
<b>33</b>	1NO+1NC, slow action
<b>34</b>	2NC, slow action

Head type	
<b>92</b>	detachable head (only for FW housing)
<b>93</b>	not detachable head (only for FR-FX-FK housing)

Actuator extraction force	
	10 N (standard)
<b>E3</b>	30 N

Actuators	
	without actuator (standard)
<b>D</b>	with straight actuator
<b>D1</b>	with right-angled actuator
<b>D2</b>	with jointed actuator
...	.....

Preinstalled cable gland or connectors	
	no cable gland or connector (standard)
<b>K21</b>	with assembled cable gland suitable for Ø 6 to Ø 12 mm cables range
...	.....
<b>K70</b>	with 4 poles M12 plastic connector
...	.....

For the complete list of all combinations, please contact our technical office.

Threaded conduit entry	
	PG 13,5 (standard) (only for FR-FX housing)
<b>A</b>	PG 11 (only for FR-FX housing)
<b>M1</b>	M16x1,5
<b>M2</b>	M20x1,5

Contacts type	
	silver contacts (standard)
<b>G</b>	silver contacts gold plated 1 µm

External metallic parts	
	zinc-plated steel (standard)
<b>X</b>	stainless steel

article options  
**FK 3393-E3D1XGM1K22**

Housing	
<b>FK</b>	polymer housing, one conduit entry

Contact blocks	
<b>33</b>	1NO+1NC, slow action
<b>34</b>	2NC, slow action

Actuator extraction force	
	10 N (standard)
<b>E3</b>	30 N

Actuators	
	without actuator (standard)
<b>D</b>	with straight actuator
<b>D1</b>	with right-angled actuator
<b>D2</b>	with jointed actuator
...	.....

Preinstalled cable gland	
	no cable gland (standard)
<b>K22</b>	with assembled cable gland suitable for Ø 5 to Ø 10 mm cables range
<b>K26</b>	with assembled cable gland suitable for Ø 3 to Ø 7 mm cables range

Threaded conduit entry	
	PG 11 (standard)
<b>M1</b>	M16x1,5

Contacts type	
	silver contacts (standard)
<b>G</b>	silver contacts gold plated 1 µm

External metallic parts	
	zinc-plated steel (standard)
<b>X</b>	stainless steel

1  
1A  
1B  
2  
2A  
2B  
2C  
2D  
2E  
3  
3A  
3B  
3C  
4  
4A  
4B  
4C  
4D  
4E  
4F  
4G  
4H  
5  
6



Patented

**Main data**

- Polymer housing, from one to three conduit entries
- Protection degree IP67
- 9 contact blocks available
- 8 stainless steel actuators available
- M12 assembled connector versions
- Silver contacts gold plated versions

**Markings and quality marks:**

Approval IMQ: EG610  
 Approval UL: E131787  
 Approval CCC: 2007010305230013  
 (FR-FX-FK series)  
 Approval ECU: 1010151

**Technical data****Housing**

Made of glass-reinforced polymer, self-extinguishing, shock-proof thermoplastic resin and with double insulation □

FR and FK series one conduit entry

FX series two conduit entries

FW series three knock out conduit entries

Protection degree: IP67 according to EN 60529  
(electrical contacts)

**General data**

Safety parameters: see page 6/32  
 Ambient temperature: from -25°C to +80°C  
 Version for operation in ambient temperature from -40°C to +80°C on request  
 Max operating frequency: 3600 operations cycles<sup>1</sup>/hour  
 Mechanical endurance: 1 million of operations cycles<sup>1</sup>  
 Max actuating speed: 0,5 m/s  
 Min. actuating speed: 1 mm/s  
 Actuator extraction force: 10 N (30 N -E3 version)  
 Driving torque for installation: see pages 6/1-6/10  
 (1) One operation cycle means two movements, one to close and one to open contacts, as foreseen by EN 60947-5-1 standard.

**Cross section of the conductors (flexible copper wire)**

Contact blocks 20, 21, 22, 33, 34:	min.	1 x 0,34 mm <sup>2</sup>	(1 x AWG 22)
	max.	2 x 1,5 mm <sup>2</sup>	(2 x AWG 16)
Contact blocks 5, 6, 7, 9:	min.	1 x 0,5 mm <sup>2</sup>	(1 x AWG 20)
	max.	2 x 2,5 mm <sup>2</sup>	(2 x AWG 14)

**In conformity with standards:**

IEC 60947-5-1, EN 60947-5-1, IEC 60204-1, EN 60204-1, EN 1088, EN ISO 12100-1, EN ISO 12100-2, IEC 60529, EN 60529, NFC 63-140, VDE 0660-200, VDE 0113, CENELEC EN 50013, BG-GS-ET-15.

**Approvals:**

IEC 60947-5-1, UL 508, GB14048.5-2001

**In conformity with requirements requested by:**

Low Voltage Directive 2006/95/EC, Machinery Directive 2006/42/EC and Electromagnetic Compatibility 2004/108/EC.

**Positive contact opening in conformity with standards:**

IEC 60947-5-1, EN 60947-5-1, VDE 0660-206.

**⚠ If not expressly indicated in this chapter, for the right installation and the correct utilization of all articles see requirements indicated from page 6/1 to page 6/10.**

**Electrical data****Utilization categories**

without connector	Thermal current (I <sub>th</sub> ):	10 A	Alternate current: AC15 (50...60 Hz)			
	Rated insulation voltage (U <sub>i</sub> ):	500 Vac 600 Vdc	U <sub>e</sub> (V)	250	400	500
		400 Vac 500 Vdc	I <sub>e</sub> (A)	6	4	1
	Conditional short circuit current:	for contact blocks 20, 21, 22, 33, 34	Direct current: DC13			
	Protection against short circuits:	1000 A according to EN 60947-5-1	U <sub>e</sub> (V)	24	125	250
Pollution degree:	fuse 10 A 500 V type aM	I <sub>e</sub> (A)	6	1,1	0,4	
		3				

with 4 poles M12 connector	Thermal current (I <sub>th</sub> ):	4 A	Alternate current: AC15 (50...60 Hz)			
	Rated insulation voltage (U <sub>i</sub> ):	250 Vac 300 Vdc	U <sub>e</sub> (V)	24	120	250
		Protection against short circuits:	fuse 4 A 500 V type gG	I <sub>e</sub> (A)	4	4
	Pollution degree:	3	Direct current: DC13			
			U <sub>e</sub> (V)	24	125	250
		I <sub>e</sub> (A)	4	1,1	0,4	

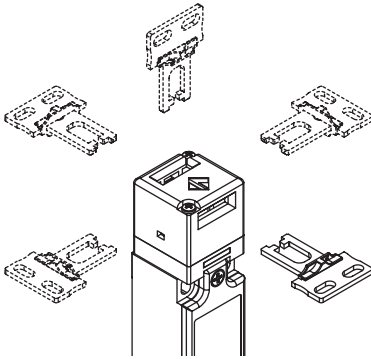
with 8 poles M12 connector	Thermal current (I <sub>th</sub> ):	2 A	Alternate current: AC15 (50...60 Hz)			
	Rated insulation voltage (U <sub>i</sub> ):	30 Vac 36 Vdc	U <sub>e</sub> (V)	24		
		Protection against short circuits:	fuse 2 A 500 V type gG	I <sub>e</sub> (A)	2	
	Pollution degree:	3	Direct current: DC13			
			U <sub>e</sub> (V)	24		
		I <sub>e</sub> (A)	2			



## Description

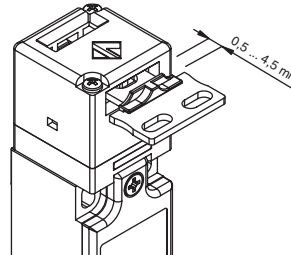
These safety switches are ideal to control gates, sliding doors and other guards protecting dangerous parts of machine. The stainless steel actuator is fastened to the moving part of the guard, so it is removed from the switch on every opening of the guard. The switch mechanism guarantees that removing the actuator forces the positive opening of the electrical contacts. Easy to install, these switches can be applied to any kind of protection (with hinge, sliding and removable ones). Besides, the possibility to actuate the switch only with its actuator guarantees that the machine can be restarted only when the guard has been closed. All products (except FW series) are equipped with a particular mechanical hooking that does not allow the separation of the head from the body during its positioning.

## Rotating heads



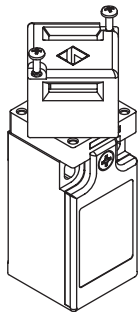
Removing the two fastening screws, in all switches, the head can be rotated in 90° steps.

## Actuator regulation zone



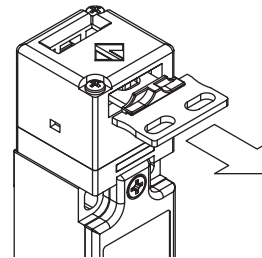
This switch has a wide backlash of the actuator into the head (4 mm) for an easier installation. With closed door, check that the actuator doesn't knock straight against the head of the switch; it must be in the adjustment zone (0,5...4,5 mm)

## Not detachable head



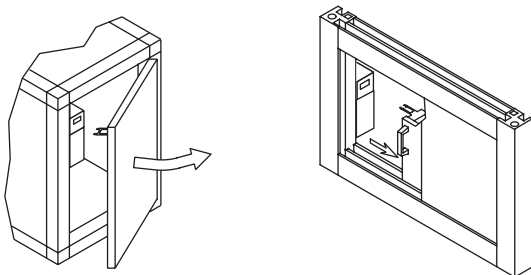
The action head type "93" is completely interchangeable and compatible with previous head type "92", but it has the advantage to be not detachable from the switch body even if it is always adjustable in 90° steps (Pizzato Elettrica patent). The new head is safer because it cannot be ruined during installation. The head fixing screws have been reduced to only two (instead of the previous four) and so the rotation operation will be quicker and cheaper.

## Versions with 30 N actuator extraction force



Versions with 30 N actuator holding force instead of the standard 10 N are available.

## Installation examples



## Limits of utilization

Do not use where dust and dirt may penetrate in any way into the head and deposit there, in particular where metal dust, concrete or chemicals are spread.  
Do not use where explosive or inflammable gas is present.

## Data type approved by IMQ, CCC and EZU

Rated insulation voltage (Ui): 500 Vac  
400 Vac for contact blocks 20, 21, 22, 33, 34  
Thermal current (Ith): 10 A  
Protection against short circuits: fuse 10 A 500 V type aM  
Protection degree: IP67  
MV terminals (screw clamps)  
Pollution degree 3  
Utilization category: AC15  
Operation voltage (Ue): 400 Vac (50 Hz)  
Operation current (Ie): 3 A  
Forms of the contact element: Zb, Y+Y, Y+Y+X, Y+Y+Y, Y+X+X  
Positive opening of contacts on contact block 5, 6, 7, 9, 20, 21, 22, 33, 34

In conformity with standards: EN 60947-1, EN 60947-5-1 and subsequent modifications and completions, fundamental requirements of the Low Voltage Directive 2006/95/CE and subsequent modifications and completions.

## Data type approved by UL

Utilization categories Q300 (69 VA, 125-250 Vdc)  
A600 (720 VA, 120-600 Vac)  
Data of the housing type 1, 4X "indoor use only"; 12, 13  
For all contact blocks use 60 or 75 °C copper (Cu) conductor and wire size No. 12-14 AWG. Terminal tightening torque of 7,1 lb-in (0.8 Nm).  
In conformity with standard: UL 508

Please contact our technical service for the list of approved products.

Please contact our technical service for the list of approved products.

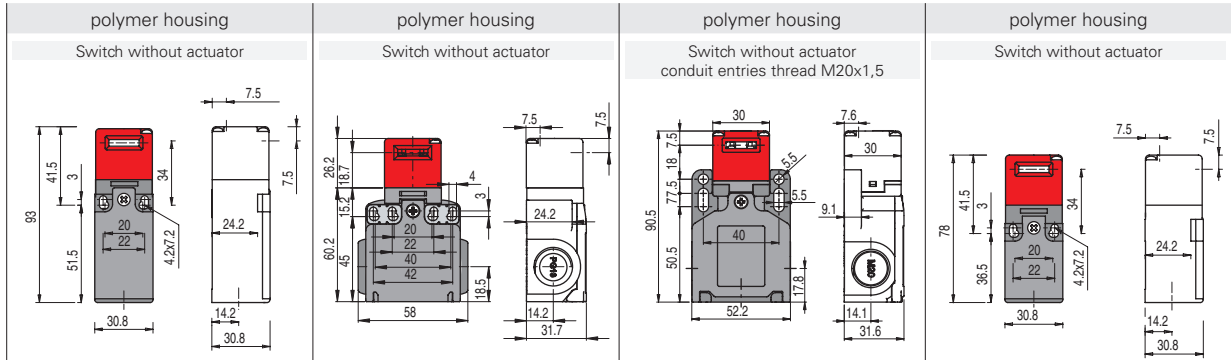
1  
1A  
1B  
2  
2A  
2B  
2C  
2D  
2E  
3  
3A  
3B  
3C  
4  
4A  
4B  
4C  
4D  
4E  
4F  
4G  
4H  
5  
6

Dimensional drawings

Contacts type:

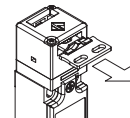
- R** = snap action
- L** = slow action
- LO** = slow action overlapped

Contact blocks



	FR 593	FX 593	FW 592-M2	
5	<b>R</b> FR 593 ⊕ 1NO+1NC	FX 593 ⊕ 1NO+1NC	FW 592-M2 ⊕ 1NO+1NC	
6	<b>L</b> FR 693 ⊕ 1NO+1NC	FX 693 ⊕ 1NO+1NC	FW 692-M2 ⊕ 1NO+1NC	
7	<b>LO</b> FR 793 ⊕ 1NO+1NC	FX 793 ⊕ 1NO+1NC	FW 792-M2 ⊕ 1NO+1NC	
9	<b>L</b> FR 993 ⊕ 2NC	FX 993 ⊕ 2NC	FW 992-M2 ⊕ 2NC	
20	<b>L</b> FR 2093 ⊕ 1NO+2NC	FX 2093 ⊕ 1NO+2NC	FW 2092-M2 ⊕ 1NO+2NC	
21	<b>L</b> FR 2193 ⊕ 3NC	FX 2193 ⊕ 3NC	FW 2192-M2 ⊕ 3NC	
22	<b>L</b> FR 2293 ⊕ 2NO+1NC	FX 2293 ⊕ 2NO+1NC	FW 2292-M2 ⊕ 2NO+1NC	
33	<b>L</b> FR 3393 ⊕ 1NO+1NC	FX 3393 ⊕ 1NO+1NC	FW 3392-M2 ⊕ 1NO+1NC	FK 3393 ⊕ 1NO+1NC
34	<b>L</b> FR 3493 ⊕ 2NC	FX 3493 ⊕ 2NC	FW 3492-M2 ⊕ 2NC	FK 3493 ⊕ 2NC
Min. force	10 N (18 N ⊕)	10 N (18 N ⊕)	10 N (18 N ⊕)	10 N (18 N ⊕)

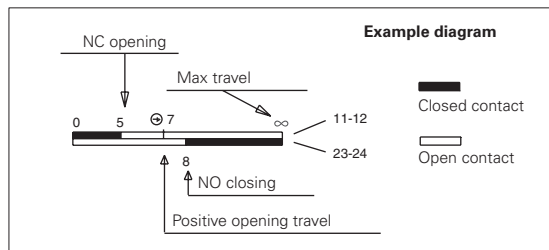
All switches listed above are available in the version with 30N actuator extraction force. To obtain these products, the order code has to be changed adding the extension "-E3", for example FR 693-E3.



Min. force 30 N version	30 N (38 N ⊕)	30 N (38 N ⊕)	30 N (38 N ⊕)	30 N (38 N ⊕)
-------------------------	---------------	---------------	---------------	---------------

How to read travel diagrams

All measures in the diagrams are in mm



IMPORTANT:

**NC contact has** to be considered with inserted actuator. **In safety applications** it is necessary to activate the switch **at least up to the positive opening point** indicated in the diagrams with the symbol ⊕. Operate the switch **at least with the positive opening force**, indicated between brackets, below each article, next the value of minimum force.

Accessories See page 5/1

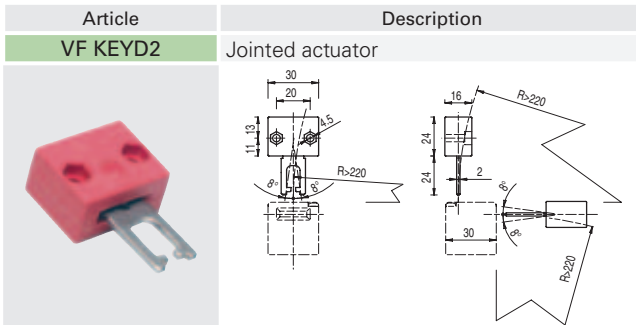
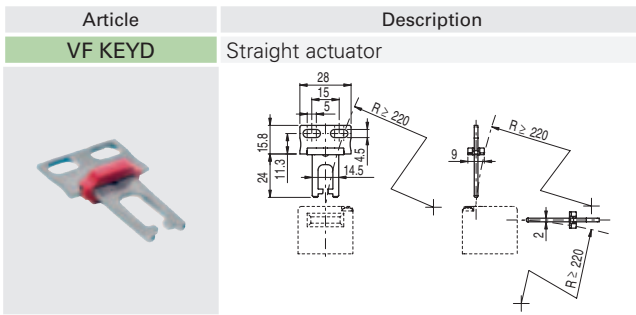
All measures in the drawings are in mm

Items with code on the green background are available in stock

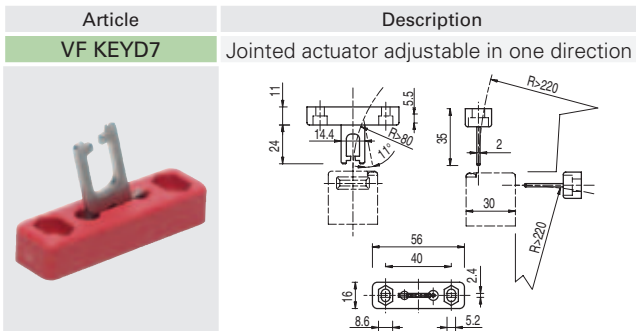
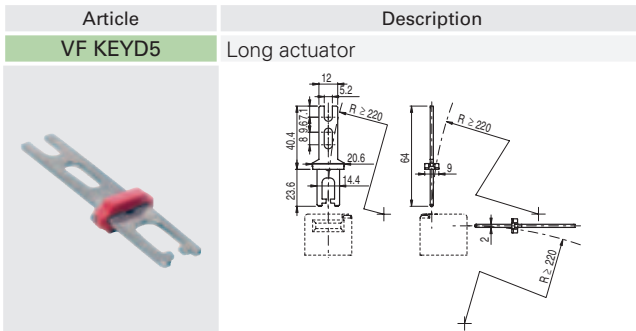


## Actuators stainless steel

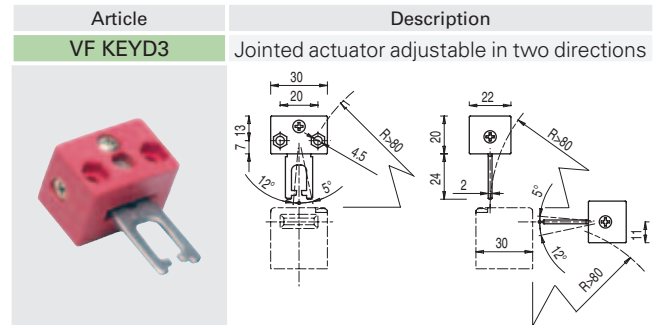
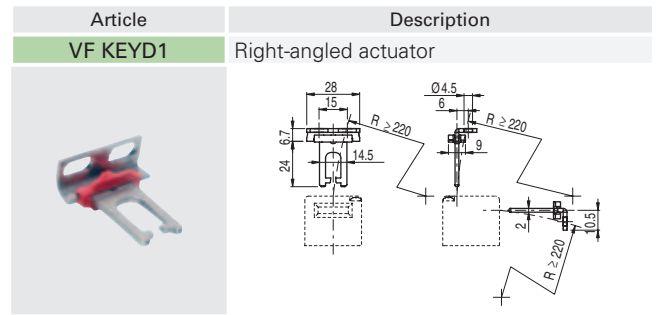
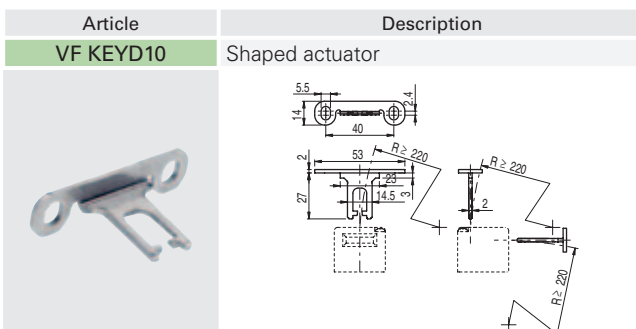
**IMPORTANT:** These actuators must be used with FR, FX, FK and FW (e.g. FR 693)



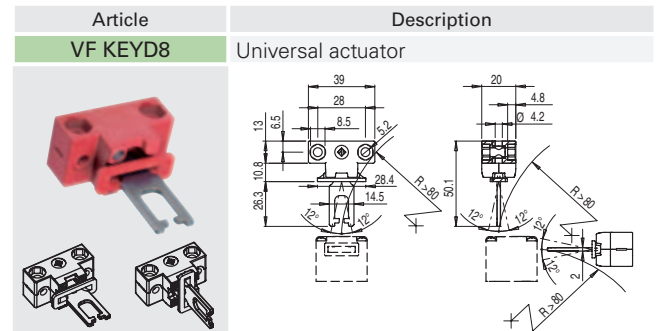
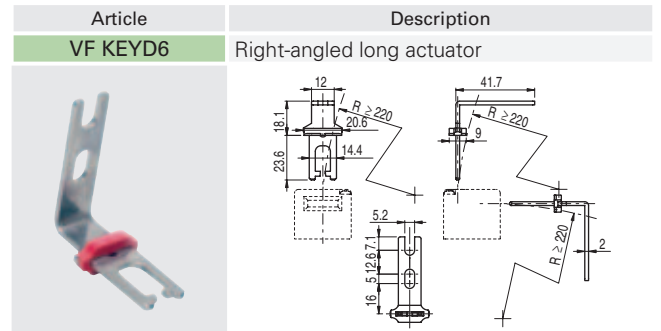
The actuator can flex in four directions for applications where the door alignment is not precise.



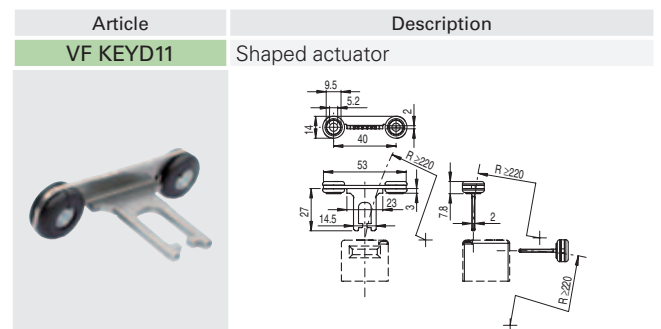
Actuator adjustable in one direction for doors with reduced dimensions.



Actuator adjustable in two directions for doors with reduced dimensions.



Jointed and two directions adjustable actuator for doors with reduced dimensions. The actuator has two couples of fixing holes and it is possible to rotate the actuator-working plan (see picture).



1  
1A  
1B  
2  
2A  
2B  
2C  
2D  
2E  
3  
3A  
3B  
3C  
4  
4A  
4B  
4C  
4D  
4E  
4F  
4G  
4H  
5  
6