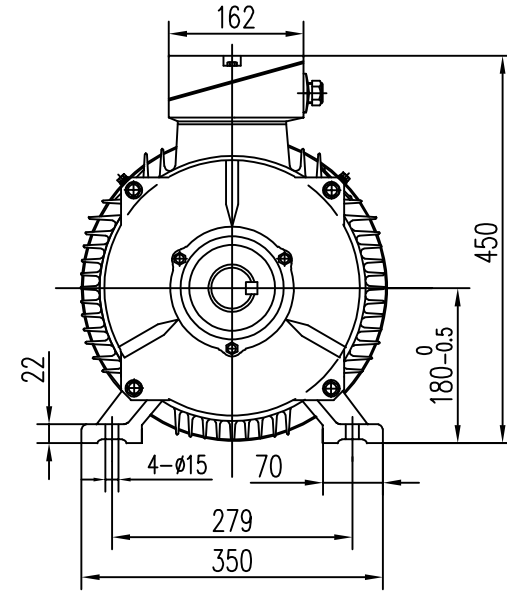
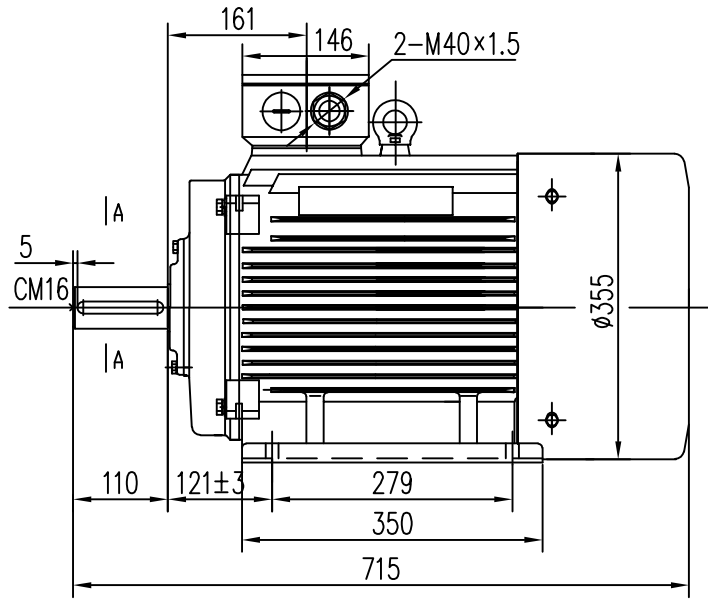


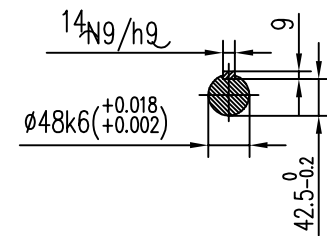
CUSTOMER: TBC  
 FRAME SIZE: F 180L 8P B3  
 ORDER N.: TBC  
 CUSTOMER TAG NUMBER: TBC  
 MOTOR SERIAL NUMBER: TBC  
 PROJECT/PLANT: TBC  
 DRAWING NUMBER:

LEGEND OF ITEM:

1	
2	
3	
4	
5	
6	
7	



SHAFT DIMENSIONS



REV. :	NAME	STATUS	DATE
00			

SCALE	1: 1	NAME	DATE
DRAWN		RG	30. 09. 16
CHECKED		RG	30. 09. 16
APPROVED			

ALL DIMENSIONS IN MILLIMETRES

