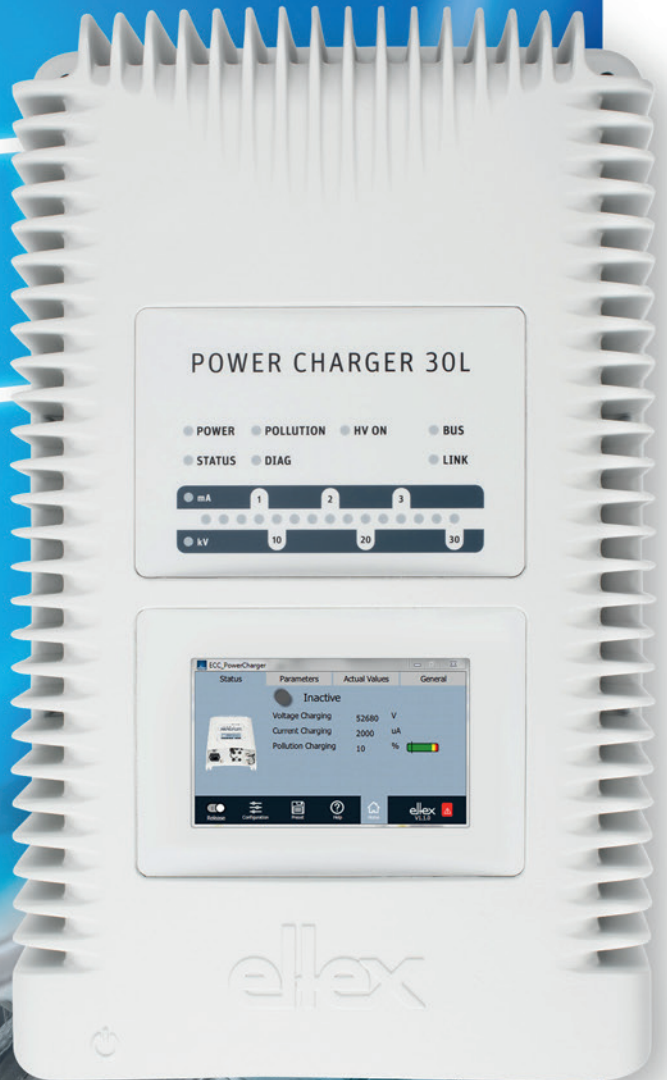


THE NEXT GENERATION



electrostatic
innovations



POWER CHARGER

**> Maximum safety
for users and devices**



The operating status is indicated by LEDs. Simple operation using keyboard or optionally using touch display.

The POWER CHARGER generation replaces the high-voltage generators series KNH34 and KNH35.

One notable feature of the POWER CHARGER generators is their innovative control concept. The integrated software regulates the output values with high speed and reliability. Load changes are detected in milliseconds. The output is adjusted using automatic power derating. This increases process reliability and the service life of electrical components.

Depending on the equipment variant, a contamination monitoring system for the connected bars provides even greater device safety and process reliability. The new control system enables up to 50% higher output compared to conventional devices.

➤ Perfectly tuned for processes and users

The POWER CHARGER is available on the market as one of the first high-voltage generators with a Performance Level D approval for user protection. A new plug system enables simple, secure contact with the connected bars. All safety-related standards are observed for creeping current paths in the connection area.

Using the Eltex Connected Control touch-based monitoring control system, multiple generators can be managed from a central location. The integrated memory records parameter changes from users, such as sensitivity adjustments. This makes it possible to optimally tune the generator settings to the specific processes.



The POWER CHARGER generators are ideal for all charging applications. They can be operated with a 24 V DC supply voltage or a mains voltage ranging from 90 V – 264 V AC. The power output is 75 or 150 watts.



Power stages and options

The generators are available in a 30 kV version for 24 V DC mains connection with membrane keyboard. They can be operated as analog devices or via the digital fieldbus interfaces CANopen and Modbus TCP. The modular system is ready to integrate additional fieldbus standards.

Users see reduced costs and less space usage thanks to an optionally integrated discharge unit that simplifies control within the process at the same time.

Features

- smart software control system
- 30 kV or 60 kV output voltage
- 24 V DC or 90 V – 264 V AC supply voltage
- 75 W or 150 W power
- automatic power derating
- analog interface
- LED status display
- UL certification

Optional

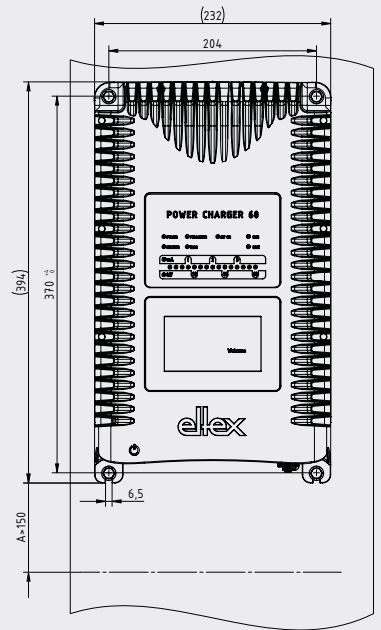
- touch-display
- fieldbus interfaces
- Performance level D
- configurable arc detection
- log file recording
- integrated discharge unit



POWER CHARGER

Technical specifications

Casing:	Coated aluminum
Color:	RAL 7035 (light gray)
Dimensions:	106 x 232 x 394 mm
Weight:	5.5 kg
Protective system:	IP 54
Display:	Status LED Optional display
Operation:	Membrane keyboard External activation Optional touch display
Power supply:	DC 24 V +/- 10% AC 90 V - 264 V 50/60 Hz

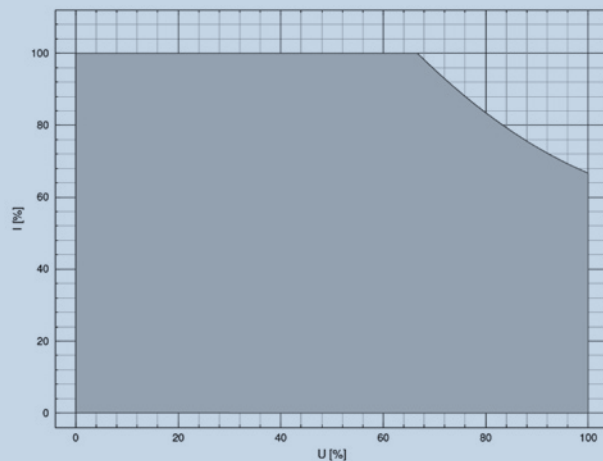


Maximum output currents and voltages

Variant	Output voltage	Output current	Power	
			24 V	100/240 V
30 kV - 75 W	+30 kV/-30 kV	3.75 mA at 20 kV/2.5 mA at 30 kV	X	X
30 kV - 150 W	+30kV/-30 kV	7.5 mA at 20 kV/5 mA at 30 kV		X
60 kV - 75 W	+60kV/-60 kV	1.875 mA at 40 kV/1.25 mA at 60 kV	X	X
60 kV - 150 W	+60 kV/-60 kV	3.75 mA at 40 kV/2.5 mA at 60 kV		X

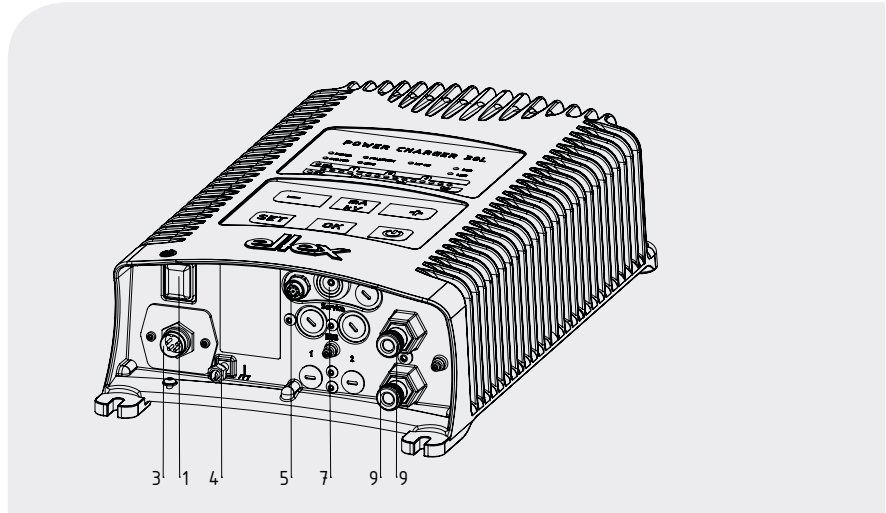
Power Derating

Automatic power adjustment

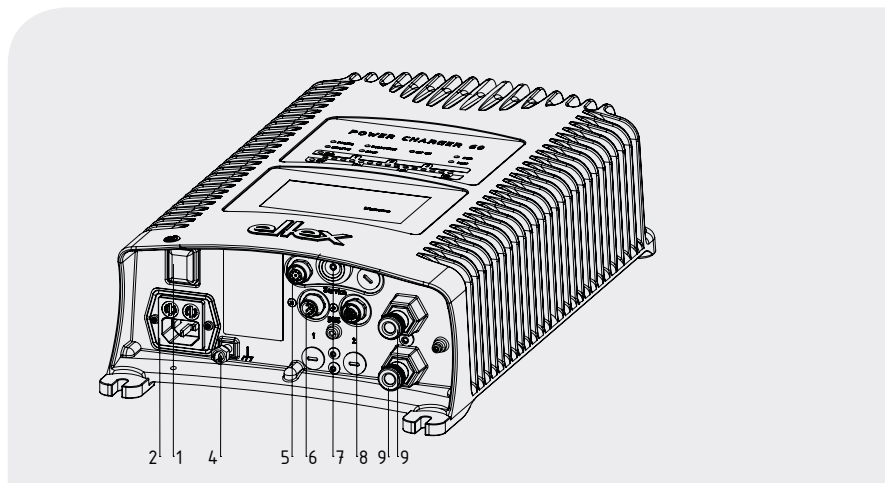


POWER CHARGER

High voltage generator POWER CHARGER PCSC
with analog interface (5)



High voltage generator POWER CHARGER PCSC
with field bus (6, 8)



High voltage generator POWER CHARGER PCSC
with charging bar suitable for connection (9)

- 1 Operating switch ON / OFF
- 2 System input 90 – 264 V AC
- 3 System input 24 V DC
- 4 Ground terminal
- 5 Analog interface
- 6 Interface 1 Field bus
- 7 Service interface
- 8 Interface 2 Field bus
- 9 High voltage output:
Connection of the charging bar
- 10 High voltage cable
- 11 Charging bar

