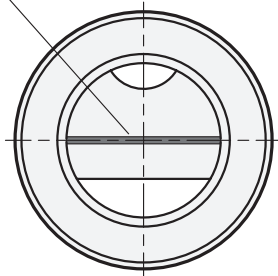
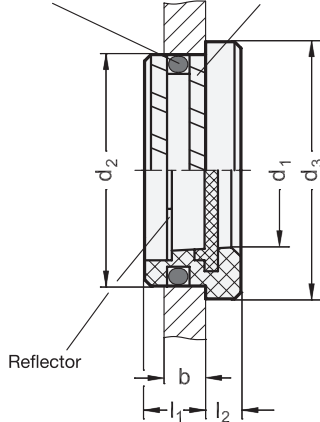


red oil level mark



O-ring Serrations



ELESA Original design HRT.

3 Type

- A** with reflector
- B** without reflector

1

2

d₁ Window glass	d₂ Bore-Ø	d₃	b min.	l₁	l₂
15	26 +0,2	28	6	7	4,5
20	32 +0,2	36	8	10	5,5
25	38 +0,2	42	8	10	5,5
40	60 -0,2	64	9	11	5,5

Specification

4

- **Body**
Plastic (Polyamide PA)
- temperature resistant up to 100 °C
- black **SW**
- **Sight glass**
Plastic
crystal-clear Polyamide (PA-T)
- **O-Ring**
Rubber NBR (Perbunan®)
- **Reflector**
Aluminum
- white lacquered
- with red oil level mark
- *Elastomer characteristics → Page 1483*
- *Plastic characteristics → Page 1483*
- **RoHS compliant**

Information

This oil level sight glass GN 545.2 does not require a thread.
The obliquely placed ribs and the elasticity of the plastic ensure that the oil level sight glass fits firmly into the port that even a limited over-pressurisation can be contained.
The window glass is recessed, giving better protection to the window.

Assembly instruction:

Press in the oil level sight glass manually, then possibly use an intermediate layer such as wood or a hammer. Chamfer hole 1x45° and grease slightly the outside surface of the O-ring to make assembly easier.

How to order

GN 545.2-25-38-A-SW

1	d₁
2	d₂
3	Type
4	Color