

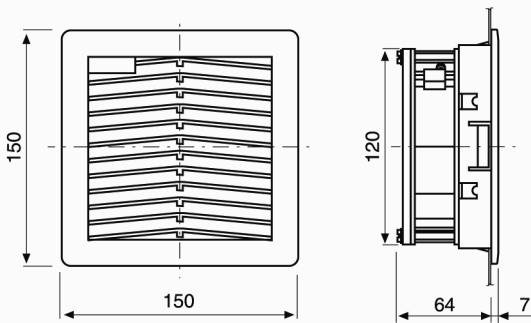
### "FPF12KD" SERIES FAN FILTERS

Description: **Fan Filters 24/48 Vd.c.**

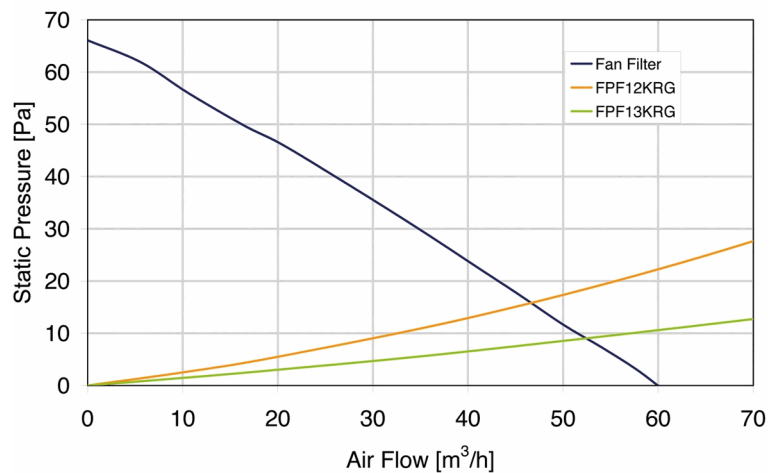
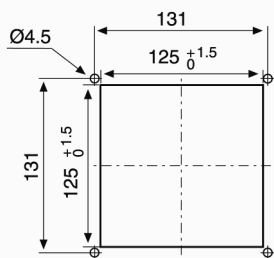


<b>Type of material:</b>	ABS/PC alloy
<b>Standard color:</b>	RAL 7032, RAL 7035 and RAL 9005 - other colors on request
<b>Protection degree:</b>	IP54, according to EN 60529 Std Type 12, according to UL 508 Std
<b>Fixing system:</b>	by elastic hooks, otherwise by four 4.8 mm self-threading screws
<b>Plate thickness:</b>	from 1.5 mm to 2.2 mm
<b>Storage temperature:</b>	from -40°C to +70°C
<b>Motor Lifetime L10 at 40°C (approx.):</b>	70,000 h
<b>Motor protection:</b>	overcurrent, reverse polarity
<b>Electrical connection:</b>	by 2 wires +(red), -(black), 24 AWG
<b>Appliance class:</b>	Class III
<b>Type of filter media:</b>	thermo-linked progressive structure synthetic fibre
<b>Filtering class:</b>	class G3, according to EN 779
<b>Degree of separation:</b>	85% - DIN 24185
<b>Dust retention capacity:</b>	600 g/m <sup>2</sup>
<b>Note:</b>	filter media is washable for about 10 times
<b>Weight:</b>	0.5 Kg
<b>Approvals:</b>	CE, UL E237844

#### technical drawing



#### mounting cut-out



Model	Voltage (V)	Frequency (Hz)	Rated Current (A)	Rated Power (W)	Max Air Flow** (m3/h)	Static Pressure (Pa)	Fan Noise [db(A)]	Rated Temp. Range (°C)	Approvals
FPF12K*D24B-110	24 V d.c.	-	0.400	9.6	60	66	42.5	-10 + +50	CE; cURus
FPF12K*D24BR-110	24 V d.c.	-	0.400	9.6	60	66	42.5	-10 + +50	CE; cURus
FPF12K*D48B-110	48 V d.c.	-	0.160	7.7	60	66	42.5	-10 + +55	CE

\* U = RAL 7035 R = RAL 7032 N = RAL 9005 \*\*data with uncertainty of 15%