

# TECNA®

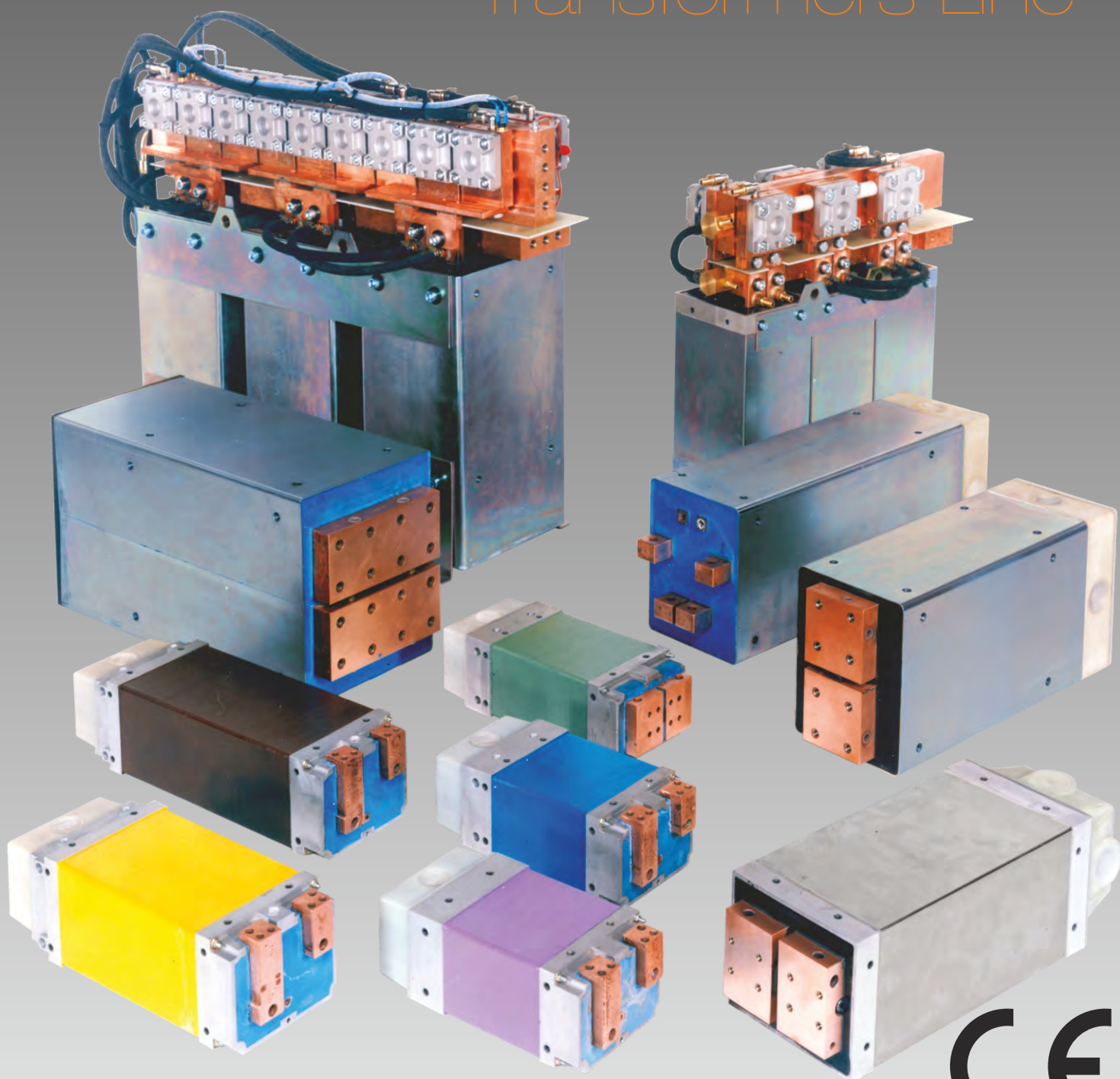
Advanced Resistance Welding Systems



COMPLYING WITH THE  
INTERNATIONAL STANDARDS  
ISO 5826 - ISO 10656 - ISO 22829

## GENERAL CATALOGUE

Transformers Line



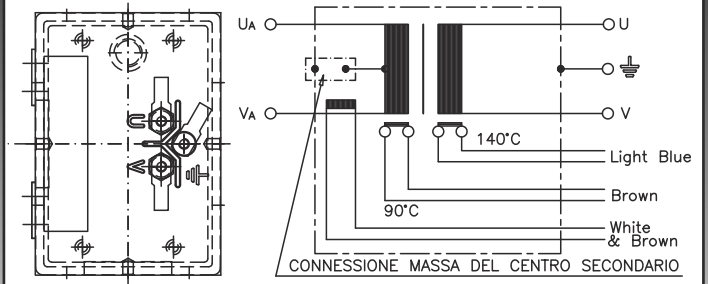
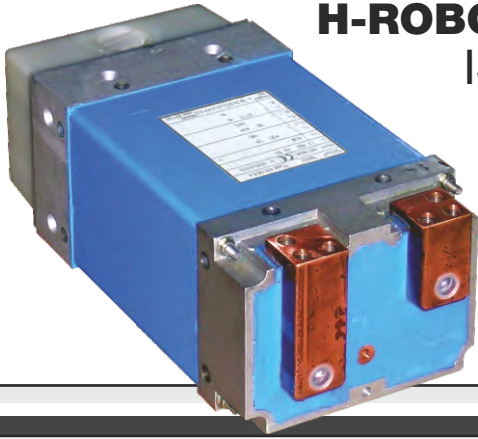
The most advanced resistance welding machines  
[www.tecna.net](http://www.tecna.net)

**TECNA<sup>®</sup>**  
Advanced Resistance Welding Systems

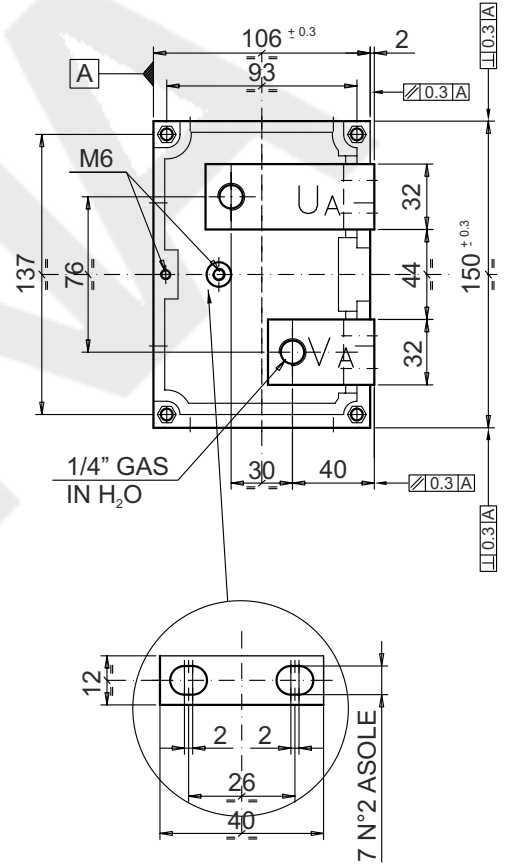
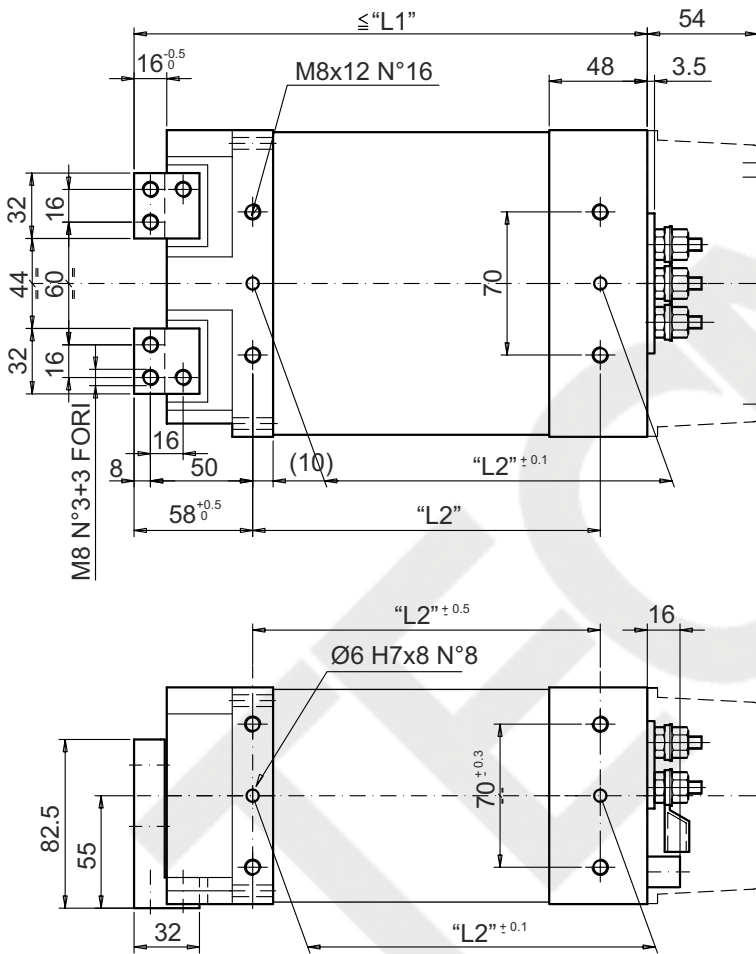


# TECNA®

## SINGLE-PHASE TRANSFORMERS H-ROBOT TYPE ISO 5826 32 ÷ 36 kVA



	SECONDIRIO ISOLATO	COLOR.	DESCRIZIONE AUX
	SECONDIRIO A MASSA	L.Blue	V=150mV/kA/1000
		Black	TERMOSTATO 90°C
		WhiteBrown	TERMOSTATO 140°C

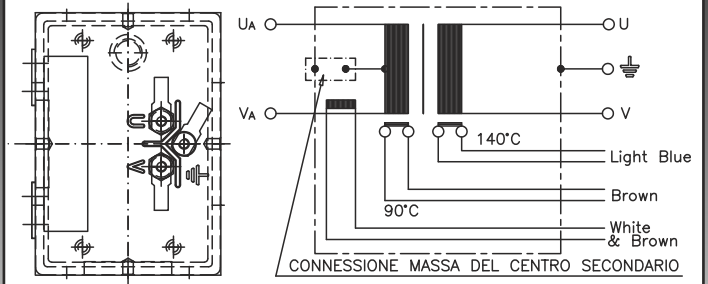
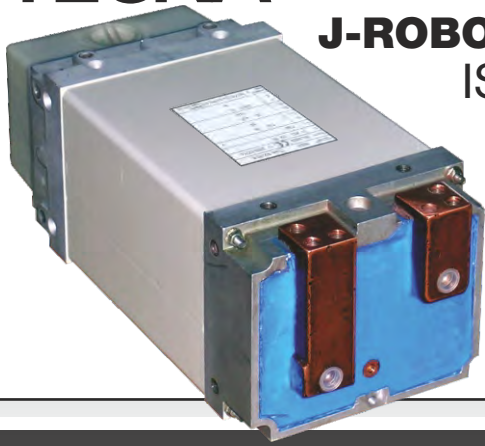


ITEM	kVA	U <sub>1</sub> /Freq Volt/Hz	I <sub>1</sub> 100% A	V <sub>20</sub> Volt				I <sub>2</sub> 100% kA	Vcc %	H <sub>2</sub> O l/min	L1	L2	D	PG	COLOR	kg	ISO
				1	2	3	4										
H-ROBOT-39202	36	*400/50	64	6,3	-	-	-	4	-	4	260	170	M6	21	RAL 5015	23	10656
H-ROBOT-32526	32	*400/50	57	5,5	-	-	-	4	-	4	248	170	M6	21	RAL 4005	21	10656

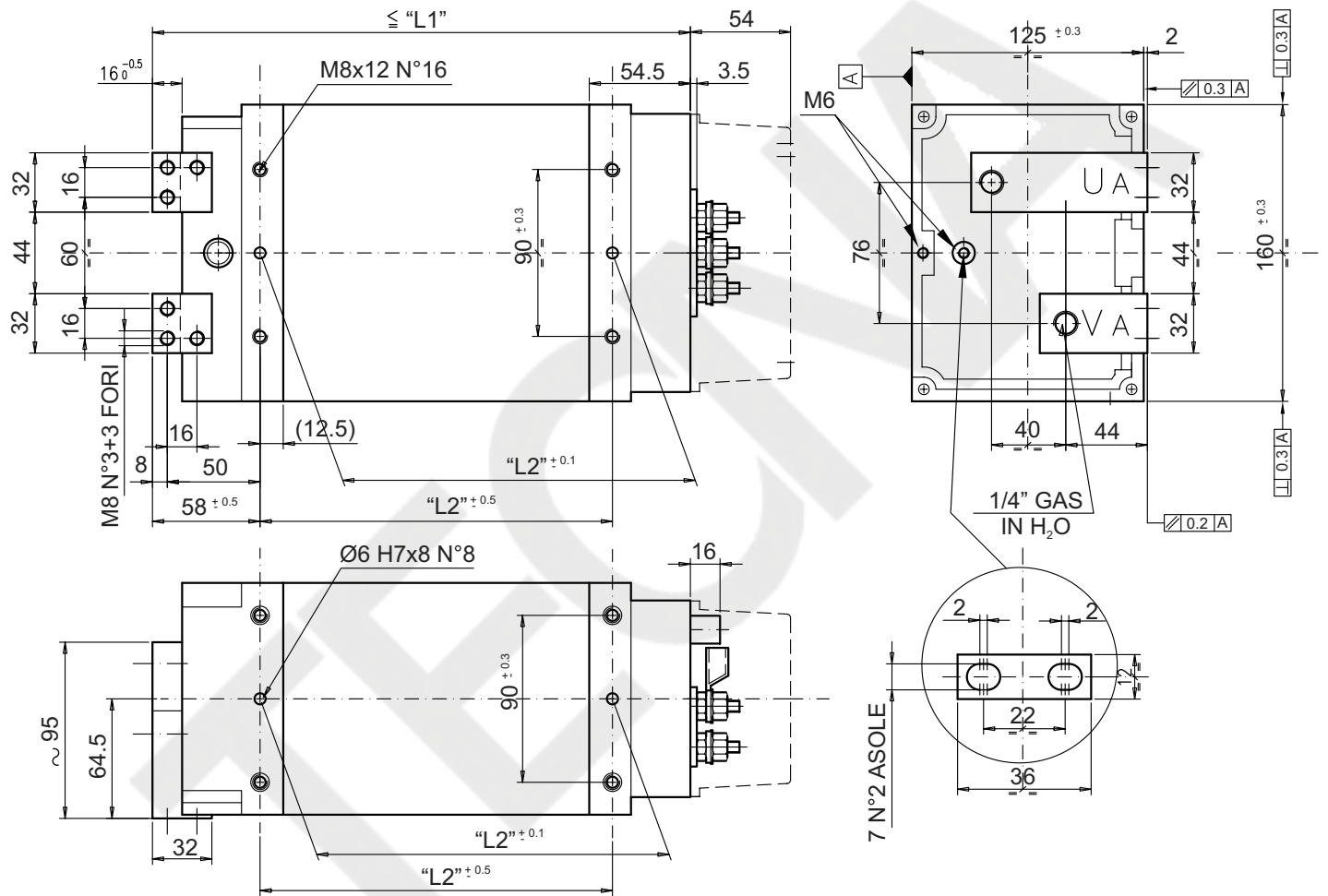
\* Different voltages and frequencies on request.

# TECNA®

## SINGLE-PHASE TRANSFORMERS J-ROBOT TYPE ISO 5826 54 ÷ 103 kVA



	SECONDIRIO ISOLATO	COLOR.	DESCRIZIONE AUX
	SECONDIRIO A MASSA	L.Blue	V=150mV/kA/1000
		Black	TERMOSTATO 90°C
		WhiteBrown	TERMOSTATO 140°C

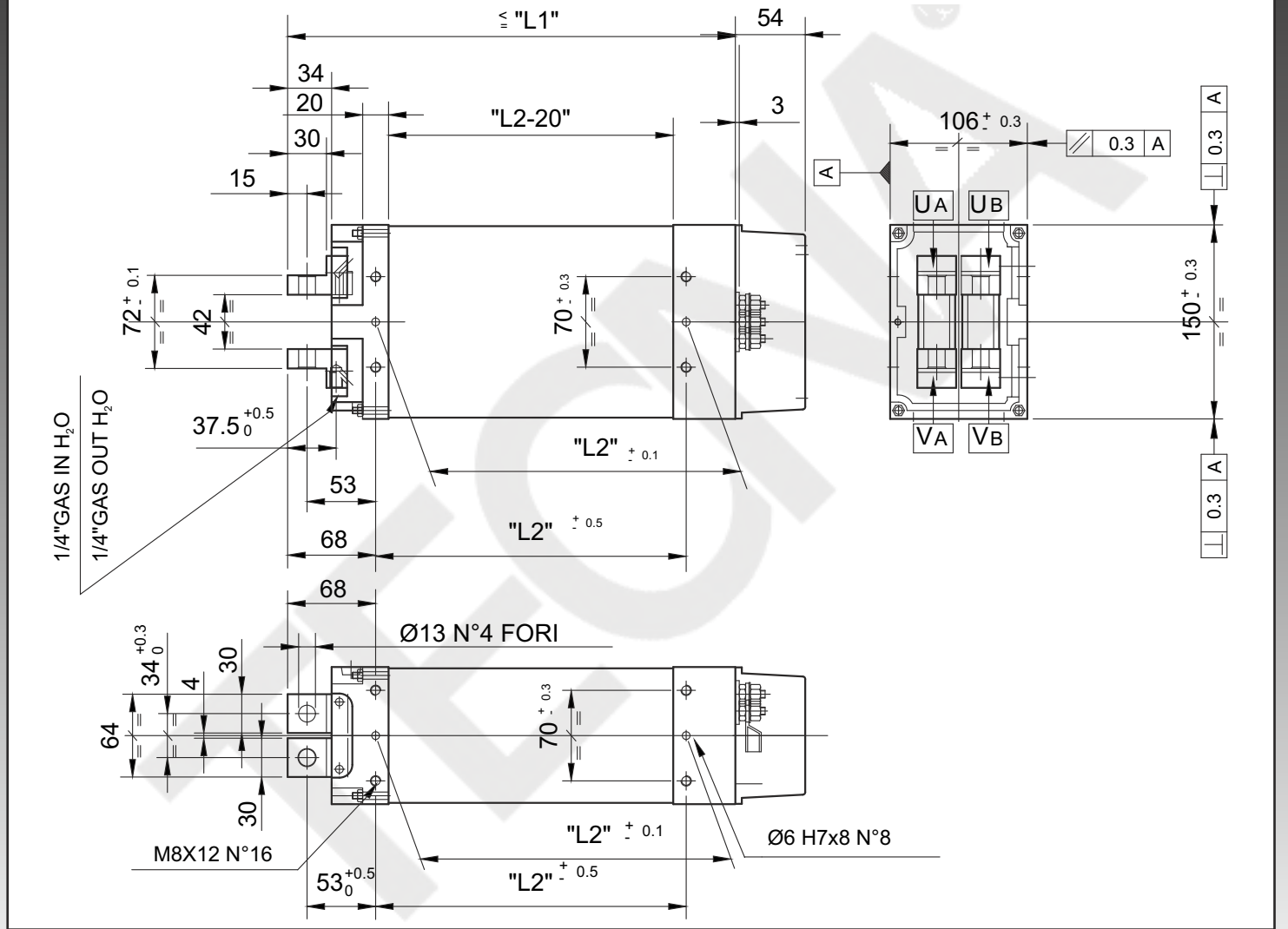
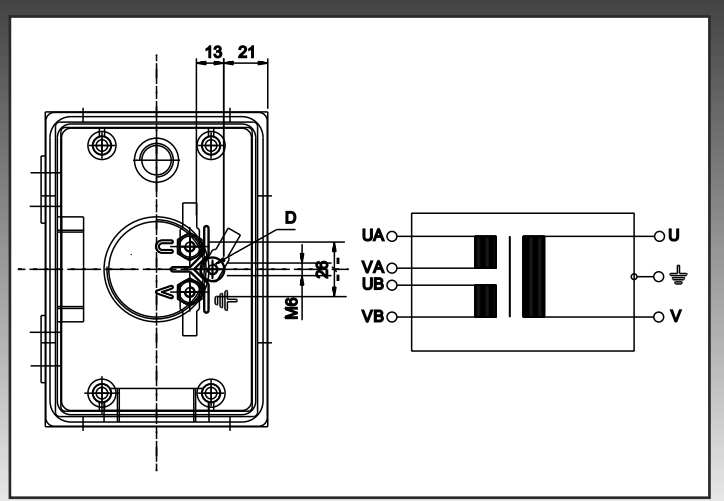
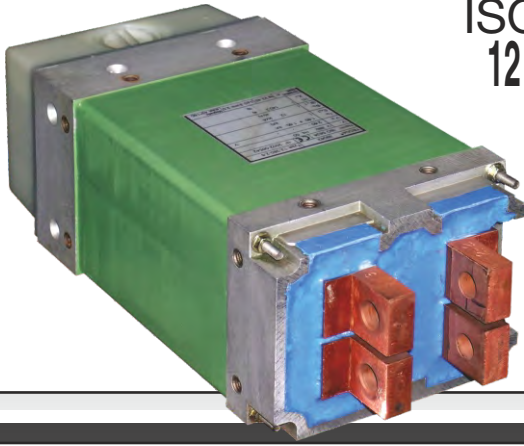


ITEM	kVA	U <sub>1</sub> /Freq Volt/Hz	I <sub>1</sub> 100% A	V <sub>20</sub> Volt				I <sub>2</sub> 100% kA	Vcc %	H <sub>2</sub> O l/min	L1	L2	D	PG	COLOR	kg	ISO
				1	2	3	4										
J-ROBOT-33009	103	*380/50	192	13,5	-	-	-	5,4	-	4	442	350	M8	21/36	RAL 8016	54	10656
J-ROBOT-39067**	75	*400/50	133	10,0	-	-	-	5,3	-	4	360	260	M8	21/36	RAL 1023	42	10656
J-ROBOT-39201**	60	*400/50	106	8,0	-	-	-	5,3	-	4	308	230	M8	21/36	RAL 7032	35	10656
J-ROBOT-39200**	54	*400/50	95	7,0	-	-	-	5,3	-	4	290	190	M8	21/36	RAL 6011	32	10656
J-ROBOT-34235	48	*400/50	85	6,4	-	-	-	5,2	-	4	270	190	M8	21/36	RAL 5015	29	10656

\* Different voltages and frequencies on request.  
\*\* Upon demand, the transformers are supplied in compliance with CNOMO E34.73.460.N

# TECNA®

**SINGLE-PHASE  
TRANSFORMERS**  
ISO 5826  
12 ÷ 25 kVA



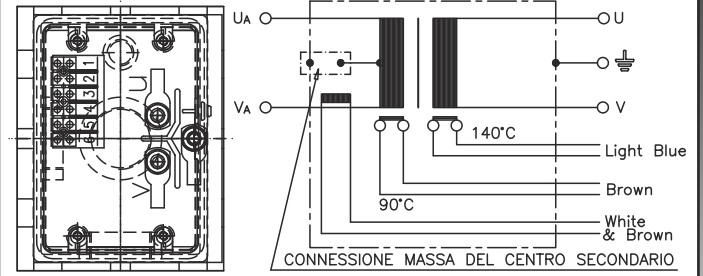
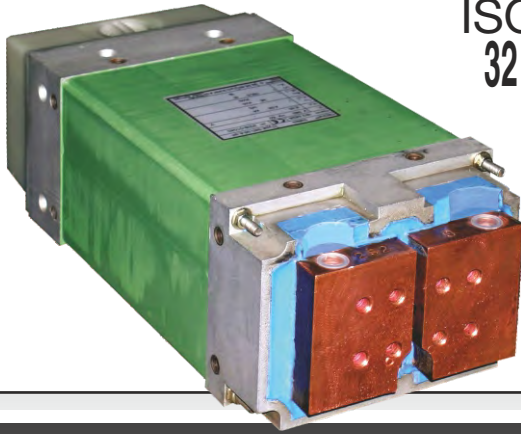
ITEM	kVA	U <sub>i</sub> /Freq Volt/Hz	I <sub>1</sub> 100% A	V <sub>20</sub> Volt				I <sub>2</sub> 100% kA	Vcc %	H <sub>2</sub> O l/min	L1	L2	D	PG	COLOR	kg	ISO
				1	2	3	4										
39063	25	*380/50	47	3,9	-	-	-	2,3+2,3	-	4	346	240	M6	21	RAL 6011	28	-
39062	12	*380/50	22	2,6	-	-	-	1,6+1,6	-	2	286	180	M6	21	RAL 6011	22	-

\* Different voltages and frequencies on request.

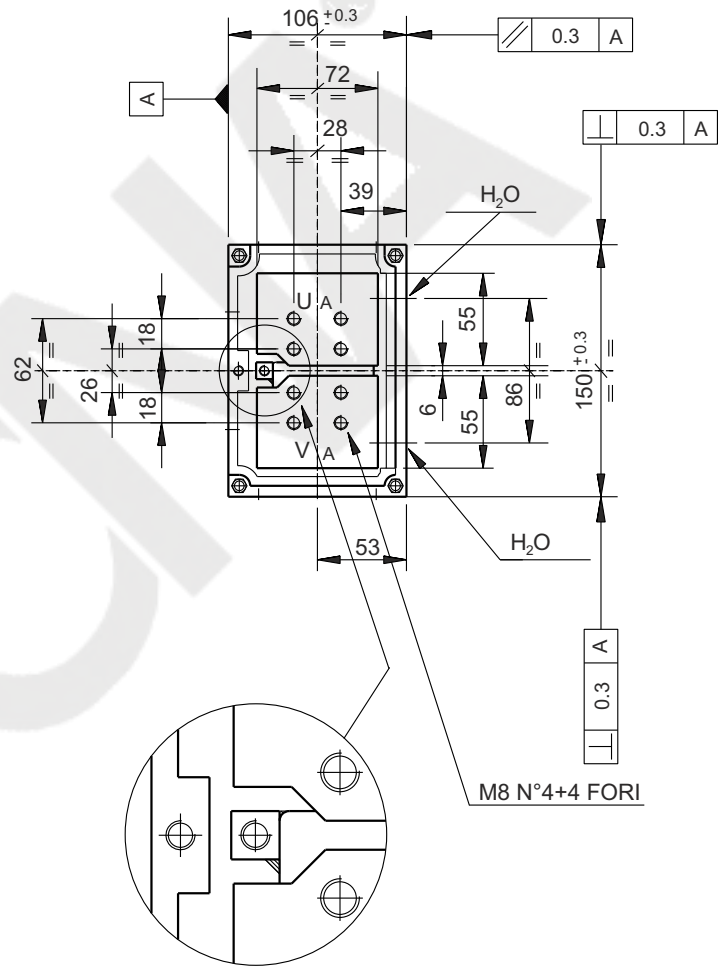
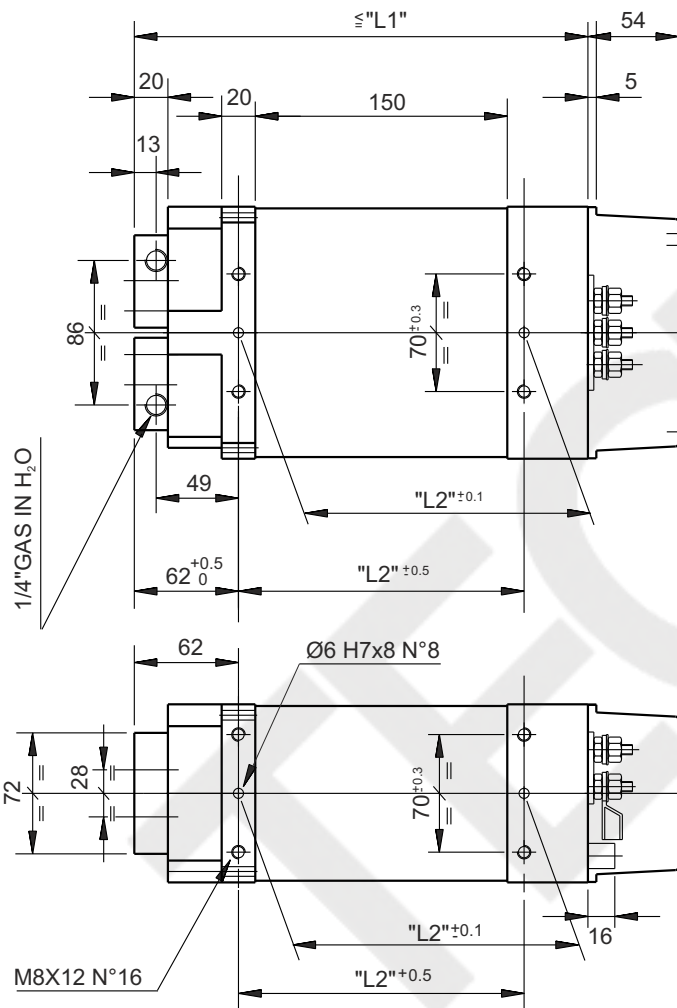
TECNA S.p.A. Specifications subject to change without notice.

# TECNA®

## SINGLE-PHASE TRANSFORMERS ISO 5826 32 ÷ 36 kVA



	SECONDIRIO ISOLATO	COLOR.	DESCRIZIONE AUX
	SECONDIRIO A MASSA	L.Blue	V=150mV/kA/1000
		Black	TERMOSTATO 90°C
		WhiteBrown	TERMOSTATO 140°C



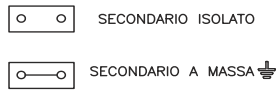
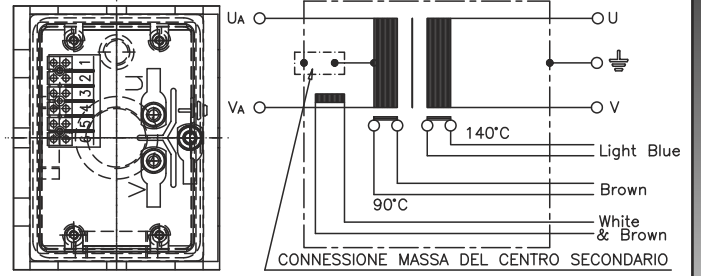
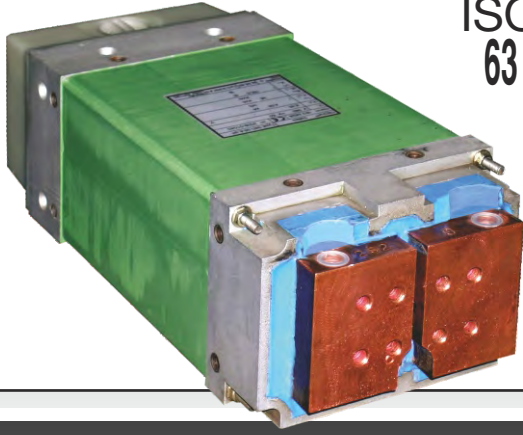
ITEM	kVA	U <sub>1</sub> /Freq Volt/Hz	I <sub>1</sub> 100% A	V <sub>20</sub> Volt				I <sub>2</sub> 100% kA	Vcc %	H <sub>2</sub> O l/min	L1	L2	D	PG	COLOR	kg	ISO
				1	2	3	4										
32778	36	*400/50	64	6,6	-	-	-	3,8	-	4	300	200	M6	21	RAL 6011	27	-
32717	32	*400/50	57	5,8	-	-	-	3,9	-	4	270	170	M6	21	RAL 6011	23	-

\* Different voltages and frequencies on request.

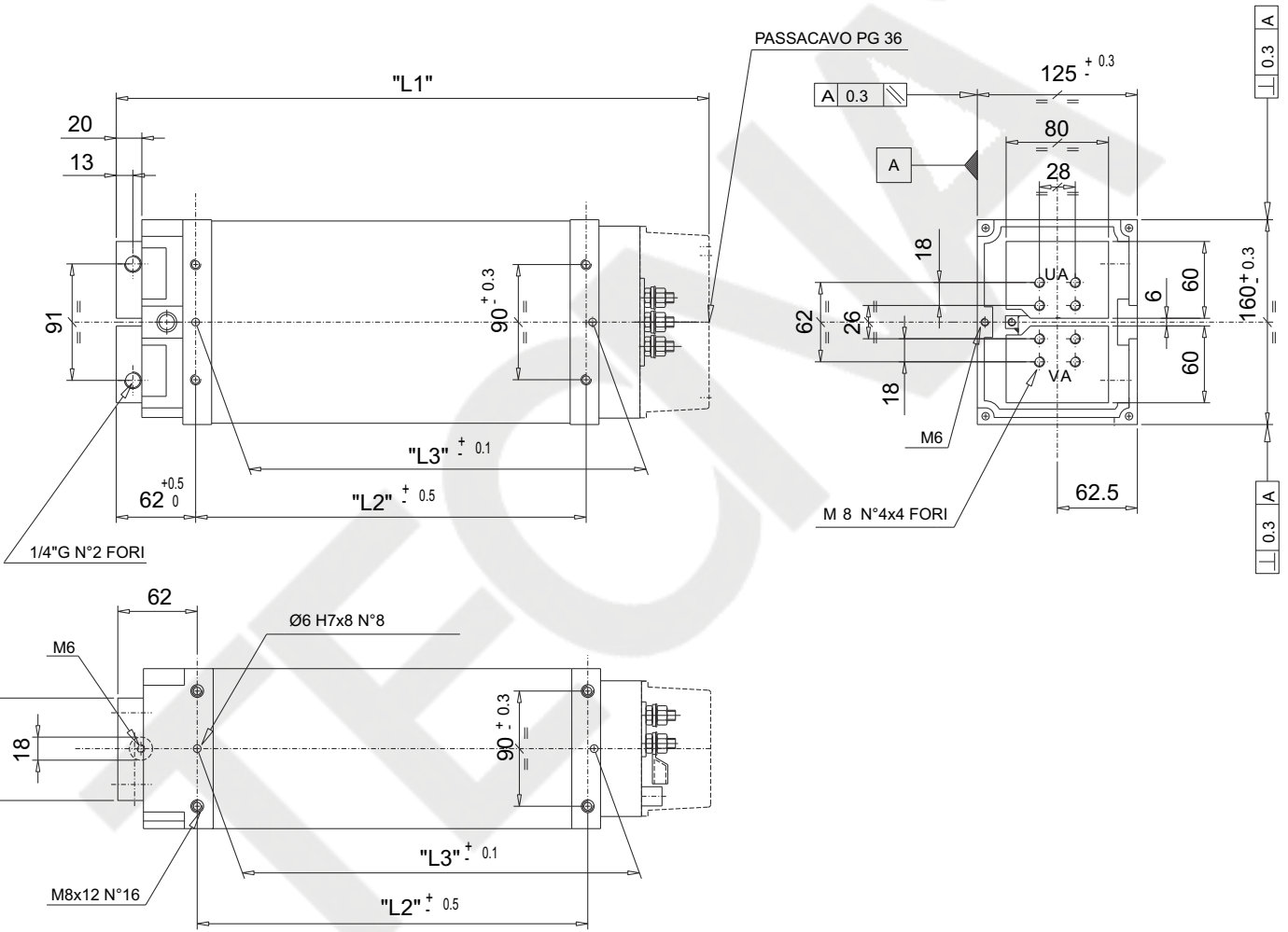
TECNA S.p.A. Specifications subject to change without notice.

# TECNA®

## SINGLE-PHASE TRANSFORMERS ISO 5826 63 ÷ 100 kVA



COLOR.	DESCRIZIONE AUX
L.Blue	V=150mV/kA/1000
Black	TERMOSTATO 90°C
WhiteBrown	TERMOSTATO 140°C



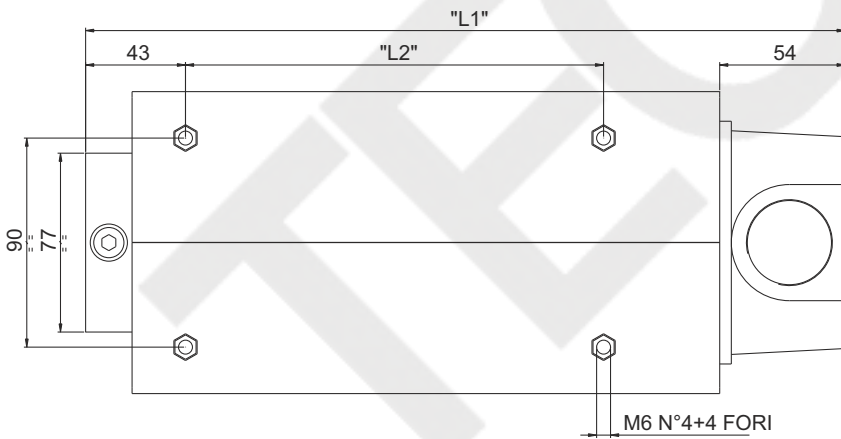
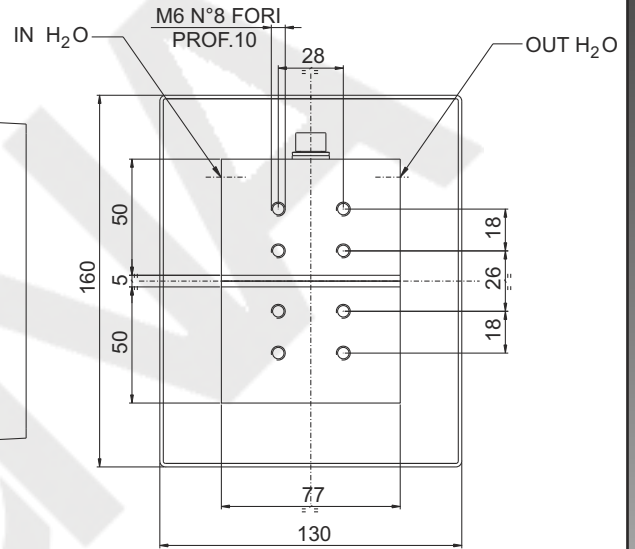
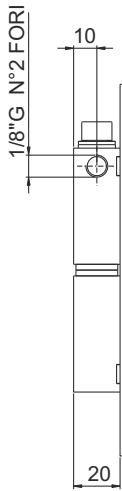
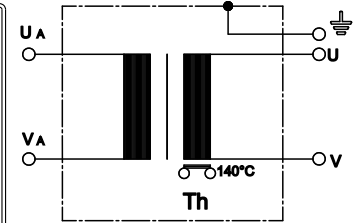
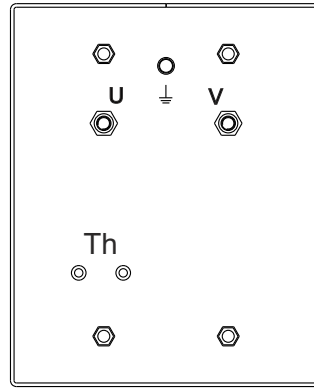
ITEM	kVA	U <sub>1</sub> /Freq Volt/Hz	I <sub>1</sub> 100% A	V <sub>20</sub> Volt				I <sub>2</sub> 100% kA	Vcc %	H <sub>2</sub> O l/min	COLOR				kg	ISO	
				1	2	3	4				L1	L2	L3	PG			
32696	100	*400/50	177	13,5	-	-	-	5,2	-	4	496	345	-	-	-	54	-
32695	63	*400/50	111	10,0	-	-	-	4,4	-	4	463	305	310	21/36	RAL 6011	49	-

\* Different voltages and frequencies on request.

TECNA S.p.A. Specifications subject to change without notice.

# TECNA®

**SINGLE-PHASE  
TRANSFORMERS**  
ISO 5826  
20 ÷ 30 kVA



ITEM	kVA	U <sub>i</sub> /Freq Volt/Hz	I <sub>1</sub> 100% A	V <sub>20</sub> Volt				I <sub>2</sub> 100% kA	Vcc %	H <sub>2</sub> O l/min	L1	L2	D	PG	COLOR	kg	ISO
				1	2	3	4										
36952	30	*400/50	53	4,6	-	-	-	4,5	-	4	385	245	-	-	ZINCATO - GALVANIZED GALVANISE - GALVANIZADO GALVANISIERT	39	-
36951	25	*400/50	44	4,0	-	-	-	4,4	-	4	352	208	-	-	ZINCATO - GALVANIZED GALVANISE - GALVANIZADO GALVANISIERT	35	-
36950	20	*400/50	35	3,4	-	-	-	4,1	-	4	329	180	-	-	ZINCATO - GALVANIZED GALVANISE - GALVANIZADO GALVANISIERT	30	-

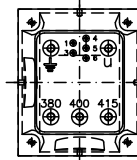
\* Different voltages and frequencies on request.

TECNA S.p.A. Specifications subject to change without notice.

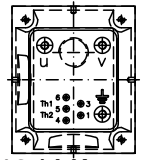


# TECNA®

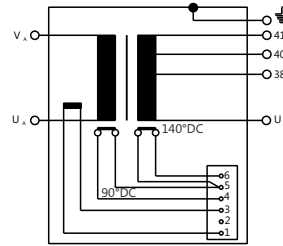
## SINGLE-PHASE TRANSFORMERS ISO 5826 32 ÷ 63 kVA



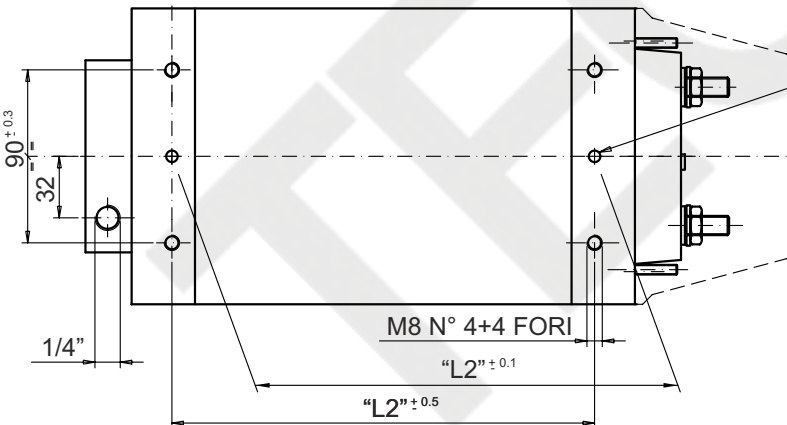
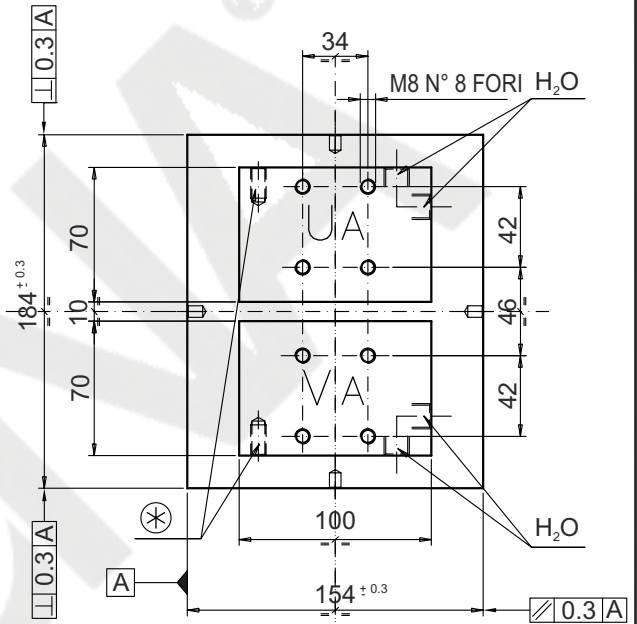
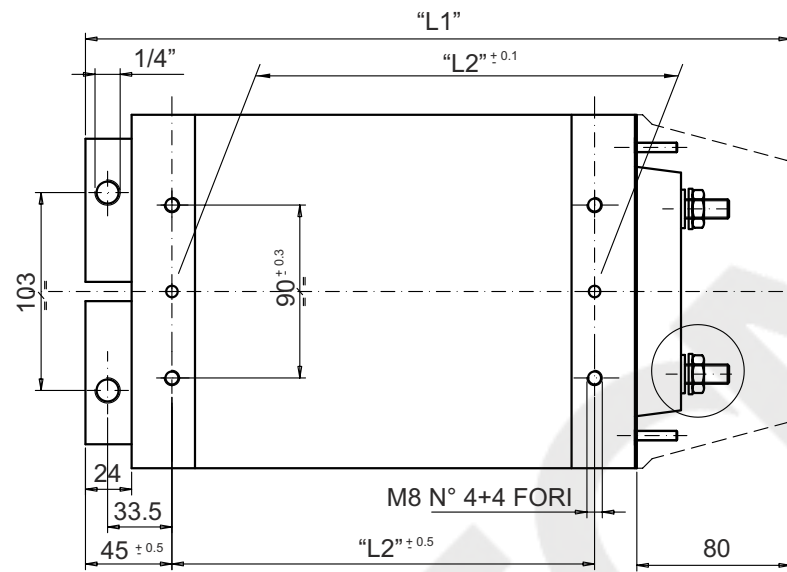
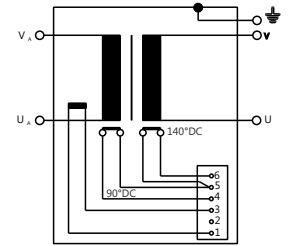
CONNES.	DESCRIZIONE CONNESS.
1-3	V=150mV/kA/1000ohm
4-5	TERMOSTATO 90°C
5-6	TERMOSTATO 140°C
4-6	TERMOSTATI N.C.



32 kVA



40 kVA  
50 kVA - 63 kVA



ITEM	kVA	U <sub>1</sub> /Freq Volt/Hz	I <sub>1</sub> 100% A	V <sub>20</sub> Volt				I <sub>2</sub> 100% kA	Vcc %	H <sub>2</sub> O l/min	L1	L2	D	PG	COLOR	ISO
				1	2	3	4									
32283	63	*400/50	111	7,2	-	-	-	6,2	-	4	487	340	M10	36	ZINCATO - GALVANIZED GALVANISE - GALVANIZADO GALVANISIERT	73
31958	50	*400/50	88	5,1	-	-	-	6,8	-	4	402	255	M10	36	ZINCATO - GALVANIZED GALVANISE - GALVANIZADO GALVANISIERT	56
32980	40	*400/50	71	4,2	-	-	-	6,7	-	4	367	220	M10	36	ZINCATO - GALVANIZED GALVANISE - GALVANIZADO GALVANISIERT	48
32301	32	*400/50	57	4,4	-	-	-	5,1	-	4	367	220	M10	36	ZINCATO - GALVANIZED GALVANISE - GALVANIZADO GALVANISIERT	49

\* Different voltages and frequencies on request.

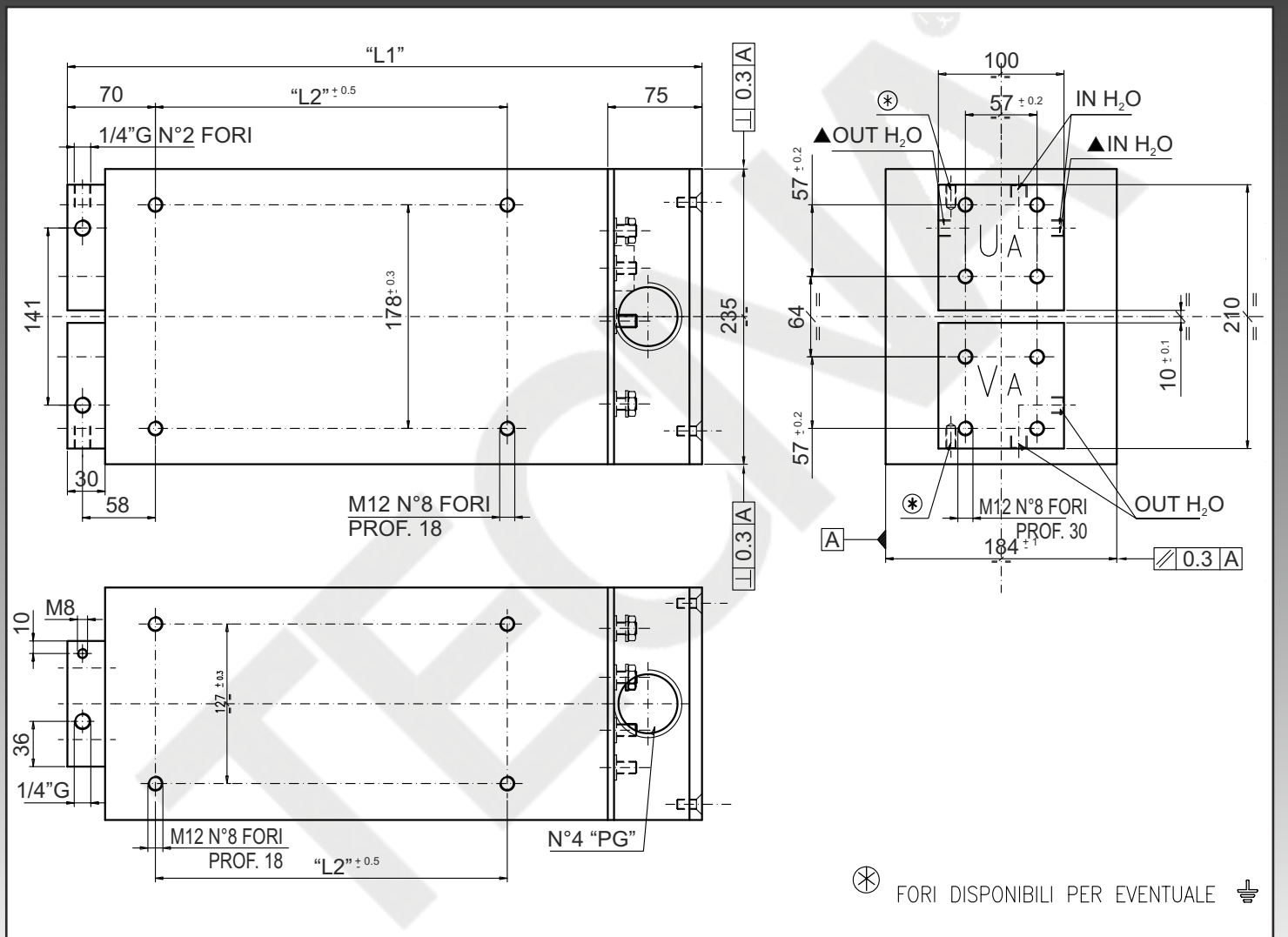
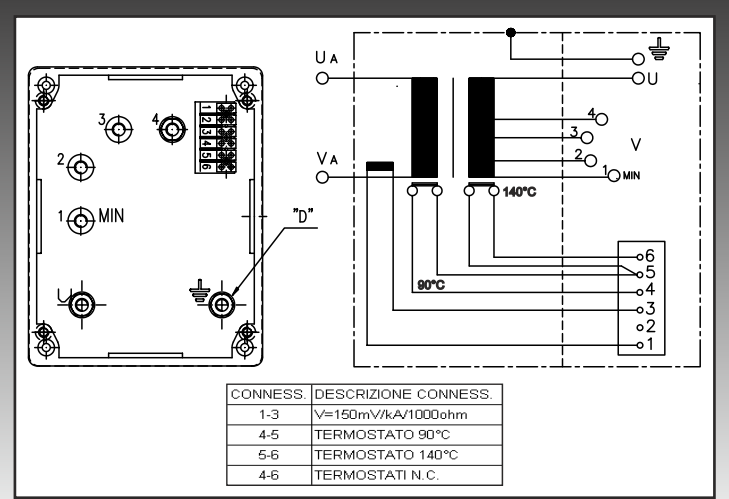
TECNA S.p.A. Specifications subject to change without notice.

# TECNA®

## SINGLE-PHASE TRANSFORMERS

### ISO 5826

### 30 ÷ 160 kVA



ITEM	kVA	U <sub>i</sub> /Freq Volt/Hz	I <sub>1</sub> 100% A	V <sub>20</sub> Volt				I <sub>2</sub> 100% kA	Vcc %	H <sub>2</sub> O l/min	L1	L2	D	PG	COLOR	ISO
				1	2	3	4									
32784	160	*400/50	283	12,1	-	-	-	9,3	-	4	655	430	M12	42	ZINCATO - GALVANIZED GALVANISE - GALVANIZADO GALVANISIERT	149
32835 ▲	150	*400/50	265	9,1	10,2	11,4	-	9,3	-	4	685	460	M12	42	ZINCATO - GALVANIZED GALVANISE - GALVANIZADO GALVANISIERT	160
32108 ▲	125	*400/50	221	7,4	8,1	9,0	10,5	8,4	-	4	655	430	M12	42	ZINCATO - GALVANIZED GALVANISE - GALVANIZADO GALVANISIERT	150
32305 ▲	100	*400/50	177	7,1	8,0	8,9	10,0	7,1	-	4	625	400	M10	36	ZINCATO - GALVANIZED GALVANISE - GALVANIZADO GALVANISIERT	140
32048 ▲	80	*400/50	141	6,1	6,7	7,5	8,3	6,8	-	4	565	340	M10	36	ZINCATO - GALVANIZED GALVANISE - GALVANIZADO GALVANISIERT	121
32282 ▲	63	*400/50	111	5,0	5,6	6,3	7,1	6,3	-	4	505	280	M10	36	ZINCATO - GALVANIZED GALVANISE - GALVANIZADO GALVANISIERT	101
33235	40	*380/50	74	3,4	3,8	4,3	4,7	6,0	-	4	435	225	M10	36	ZINCATO - GALVANIZED GALVANISE - GALVANIZADO GALVANISIERT	82
33410	30	*400/50	53	2,8	3,3	3,9	4,3	4,9	-	4	435	225	M10	36	ZINCATO - GALVANIZED GALVANISE - GALVANIZADO GALVANISIERT	81

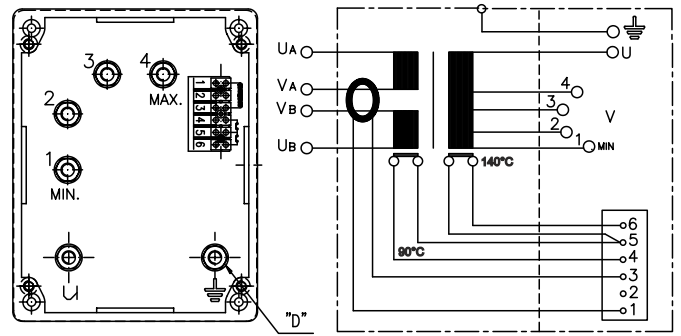
\* Different voltages and frequencies on request.

▲ Cooling water system amended.

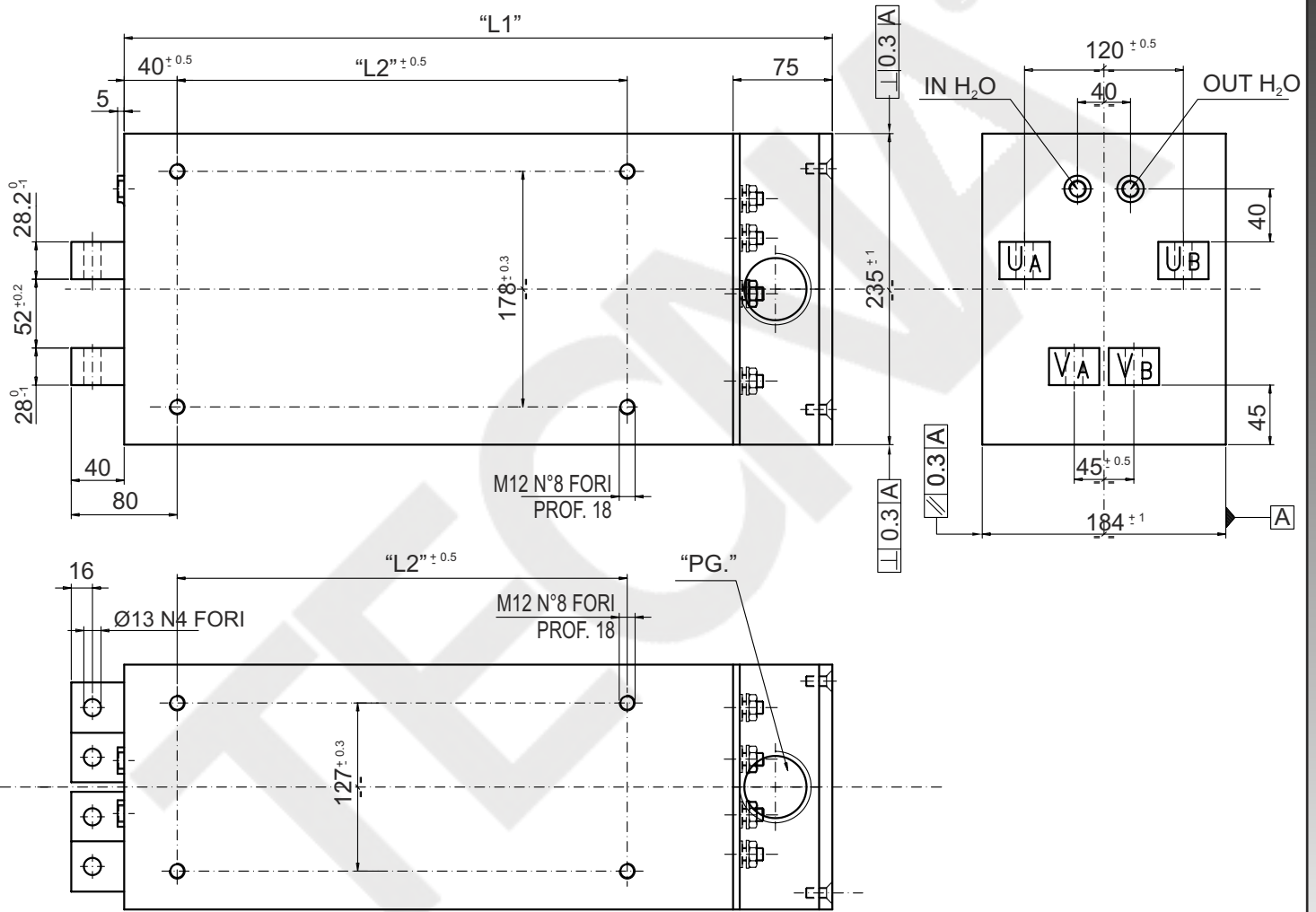
TECNA S.p.A. Specifications subject to change without notice.

# TECNA®

**SINGLE-PHASE TRANSFORMERS**  
**ISO 5826**  
**63 ÷ 100 kVA**



CONNEX.	DESCRIZIONE CONNESS.
1-3	V=150mV/kA/1000ohm
4-5	TERMOSTATO 90°C
5-6	TERMOSTATO 140°C
4-6	TERMOSTATI N.C.



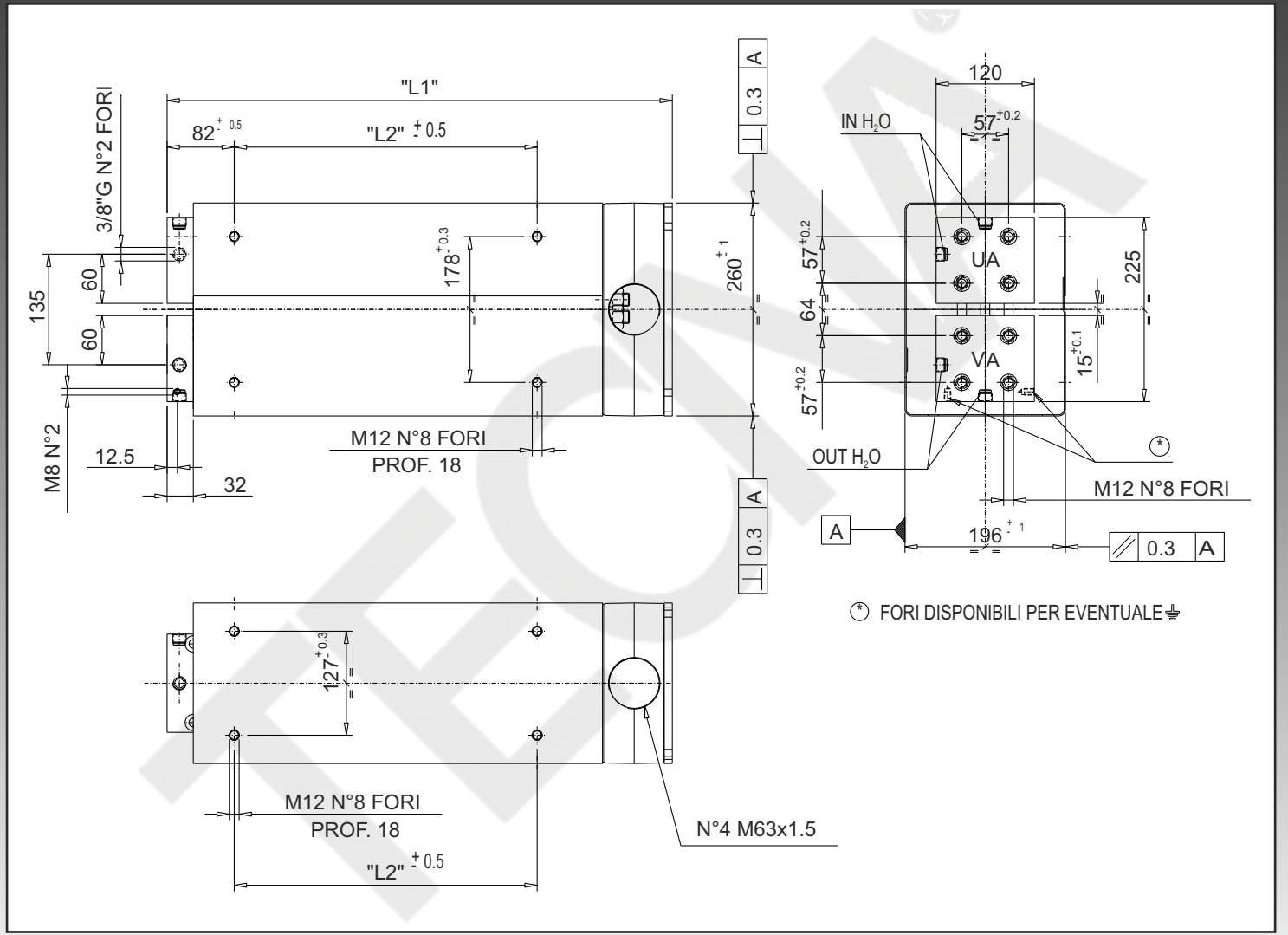
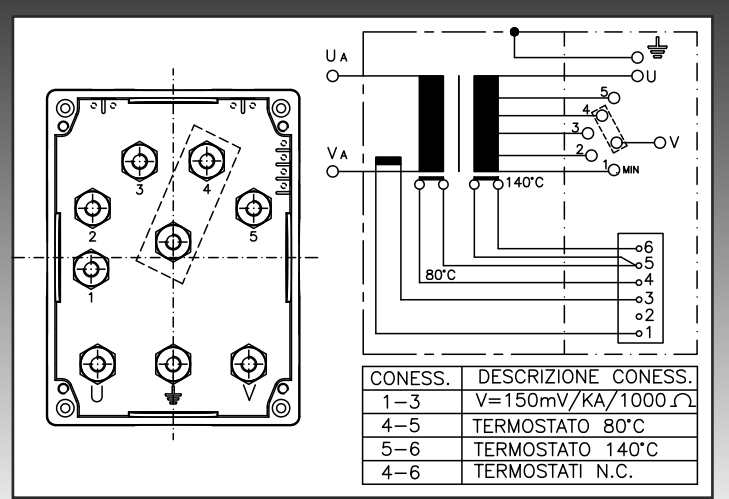
ITEM	kVA	U <sub>1</sub> /Freq Volt/Hz	I <sub>1</sub> 100% A	V <sub>20</sub> Volt				I <sub>2</sub> 100% kA	Vcc %	H <sub>2</sub> O l/min	L1	L2	D	PG	COLOR	kg	ISO
				1	2	3	4										
31823	100	*380/50	186	7,3	8,1	9,0	10,0	3,5+3,5	-	4	535	340	M10	36	ZINCATO - GALVANIZED GALVANISE - GALVANIZADO GALVANISIERT	135	7284
32863	63	*400/50	111	5,0	5,6	6,3	7,1	3,1+3,1	-	4	475	280	M10	36	ZINCATO - GALVANIZED GALVANISE - GALVANIZADO GALVANISIERT	99	7284

\* Different voltages and frequencies on request.

TECNA S.p.A. Specifications subject to change without notice.

# TECNA®

**SINGLE-PHASE TRANSFORMERS**  
**ISO 5826**  
**150 ÷ 290 kVA**

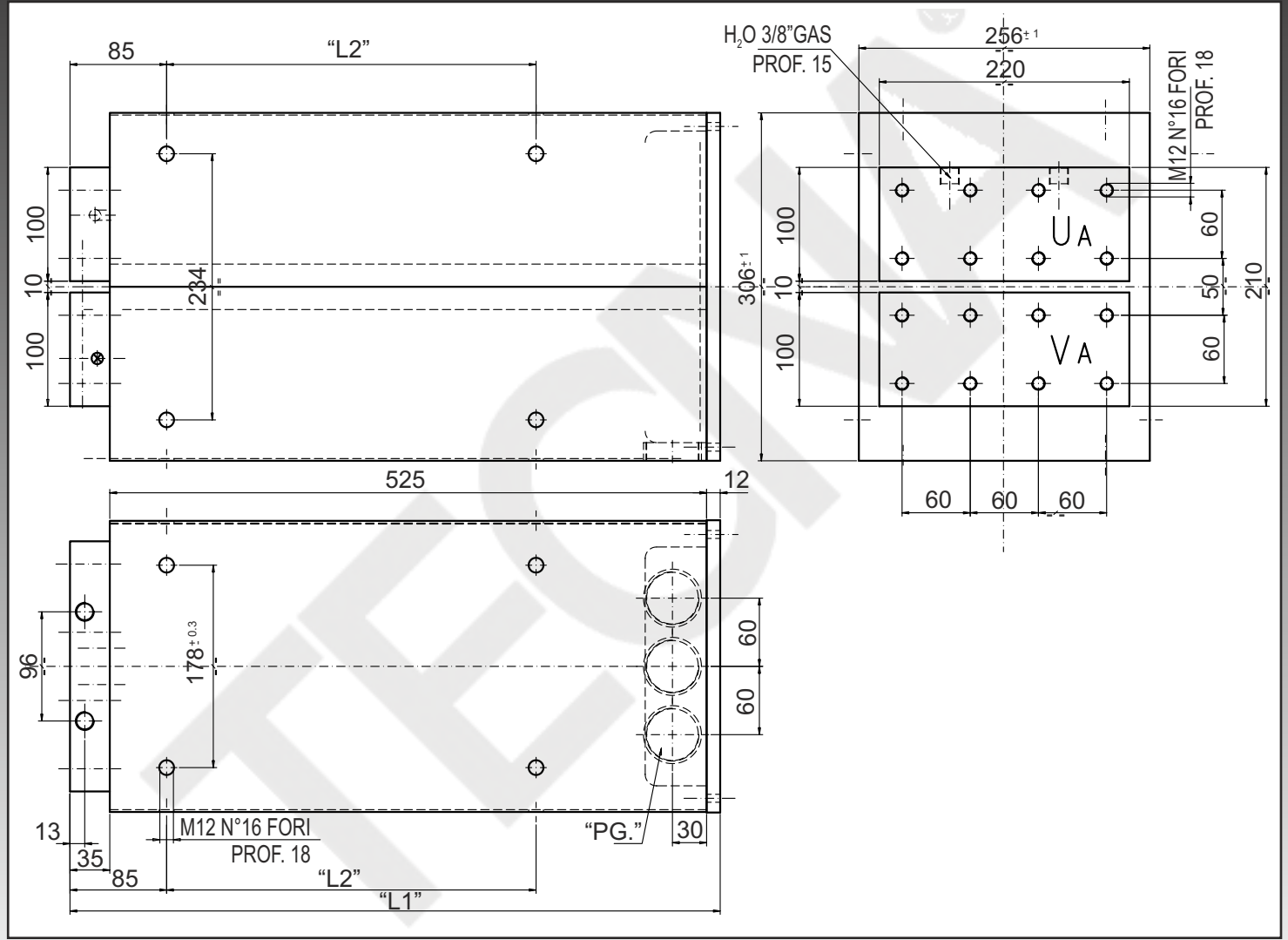
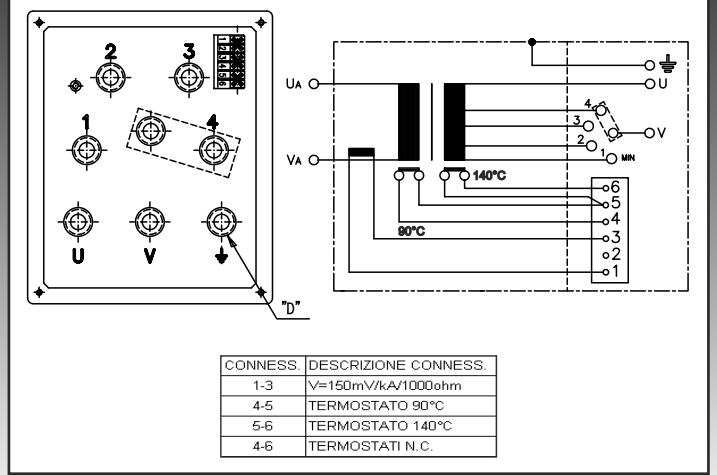


ITEM	kVA	U <sub>1</sub> /Freq Volt/Hz	I <sub>1</sub> 100% A	V <sub>20</sub> Volt					I <sub>2</sub> 100% kA	Vcc %	H <sub>2</sub> O l/min	L1	L2	D	PG	COLOR	kg	ISO
				1	2	3	4	5										
36599	290	*400/50	513	11,7	13,3	14,2	15,3	-	13,4		6	787	540	M10	36	ZINCATO - GALVANIZED GALVANISE - GALVANIZADO GALVANISIERT	216	-
36598	200	*400/50	354	9,1	10,0	10,8	11,7	-	12,1		6	687	440	M10	36	ZINCATO - GALVANIZED GALVANISE - GALVANIZADO GALVANISIERT	176	-
36597	150	*400/50	265	6,89	7,3	8,0	8,5	9,3	11,4	6,4	4,5	617	532	M10	36	ZINCATO - GALVANIZED GALVANISE - GALVANIZADO GALVANISIERT	149	-

\* Different voltages and frequencies on request.

# TECNA®

**SINGLE-PHASE TRANSFORMERS**  
**ISO 5826**  
**100 ÷ 315 kVA**

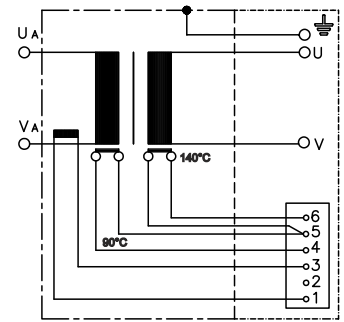
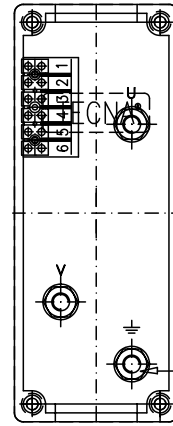


ITEM	kVA	U <sub>1</sub> /Freq Volt/Hz	I <sub>1</sub> 100% A	V <sub>20</sub> Volt				I <sub>2</sub> 100% kA	Vcc %	H <sub>2</sub> O l/min	L1	L2	D	PG	COLOR	kg	ISO
				1	2	3	4										
33518	315	*400/50	557	10,0	11,1	12,5	13,7	16,1	7,2	6	682	415	M16	36	ZINCATO - GALVANIZED GALVANISE - GALVANIZADO GALVANISIERT	283	-
33415	250	*400/50	442	8,8	10,0	11,1	12,5	14,2	5,4	6	637	390	M16	36	ZINCATO - GALVANIZED GALVANISE - GALVANIZADO GALVANISIERT	260	-
33517	200	*400/50	354	8,0	8,8	10,0	11,1	12,7	5,4	6	612	365	M12	36	ZINCATO - GALVANIZED GALVANISE - GALVANIZADO GALVANISIERT	245	-
33498	160	*400/50	283	7,1	8,0	9,0	10,0	11,3	5,5	6	572	325	M12	36	ZINCATO - GALVANIZED GALVANISE - GALVANIZADO GALVANISIERT	221	-
32997	100	*380/50	186	4,0	4,8	5,7	-	12,4	-	4	482	235	M12	36	ZINCATO - GALVANIZED GALVANISE - GALVANIZADO GALVANISIERT	172	-

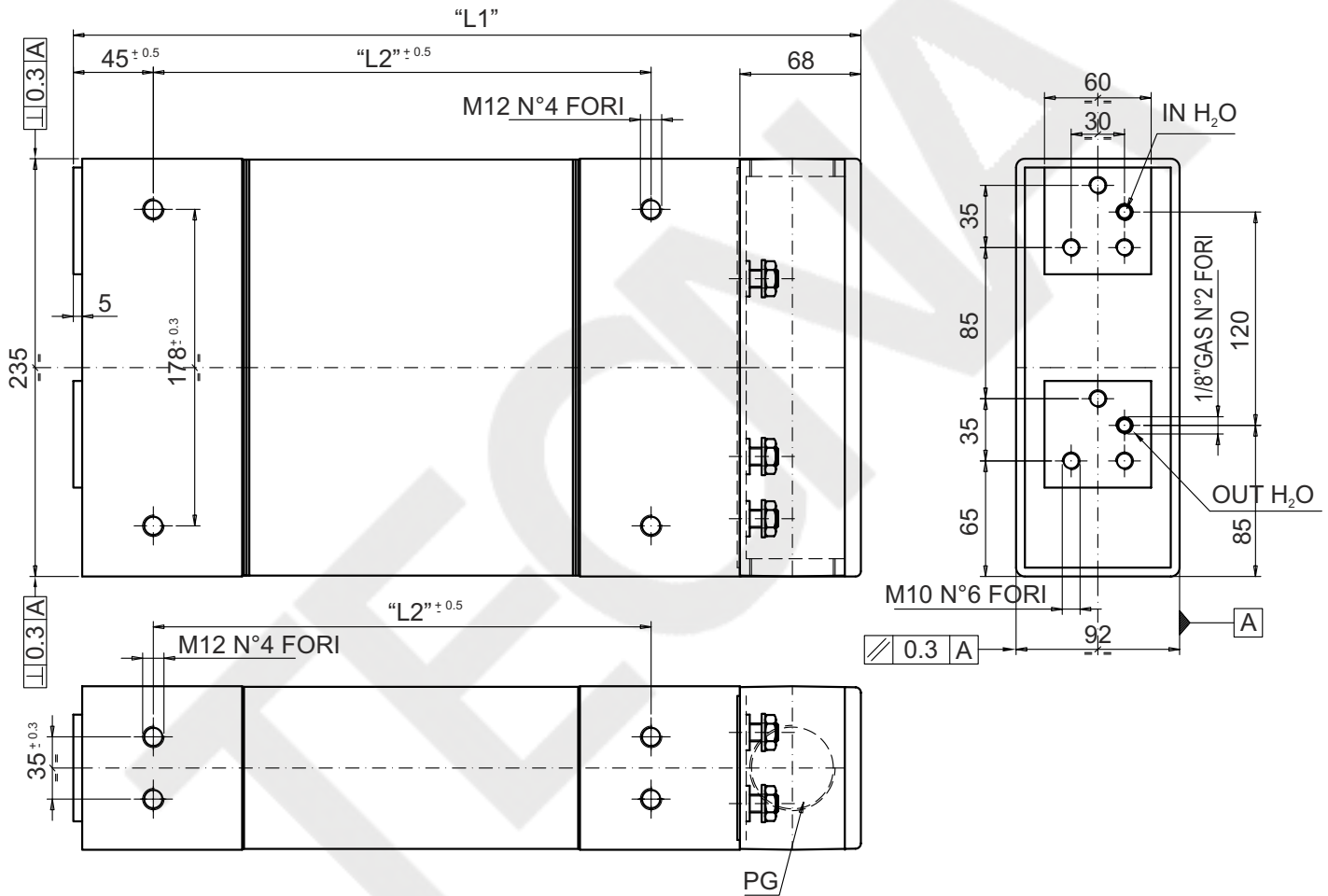
\* Different voltages and frequencies on request.

# TECNA®

**SINGLE-PHASE  
TRANSFORMERS**  
ISO 5826  
45 ÷ 100 kVA



CONNEX.	DESCRIZIONE CONNESS.
1-3	V=150mV/kA/1000ohm
4-5	TERMOSTATO 90°C
5-6	TERMOSTATO 140°C
4-6	TERMOSTATI N. C.



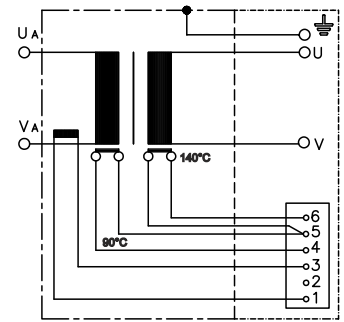
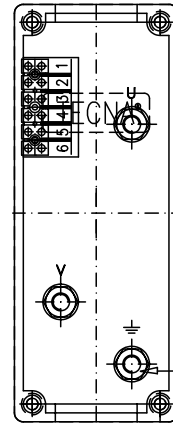
ITEM	kVA	U <sub>i</sub> /Freq Volt/Hz	I <sub>1</sub> 100% A	V <sub>20</sub> Volt				I <sub>2</sub> 100% kA	Vcc %	H <sub>2</sub> O l/min	L1	L2	D	PG	COLOR	kg	ISO
				1	2	3	4										
33413	100	*400/50	177	10,0	-	-	-	7,0	8,6	4	678	515	M10	36	RAL 6011	79	-
32725	63	*380/400/50	117	7,1	-	-	-	6,3	10,2	4	678	515	M10	36	RAL 6011	78	-
32633	45	*380/50	84	5,2	-	-	-	6,0	9,2	4	483	320	M10	36	RAL 6011	48	-

\* Different voltages and frequencies on request.

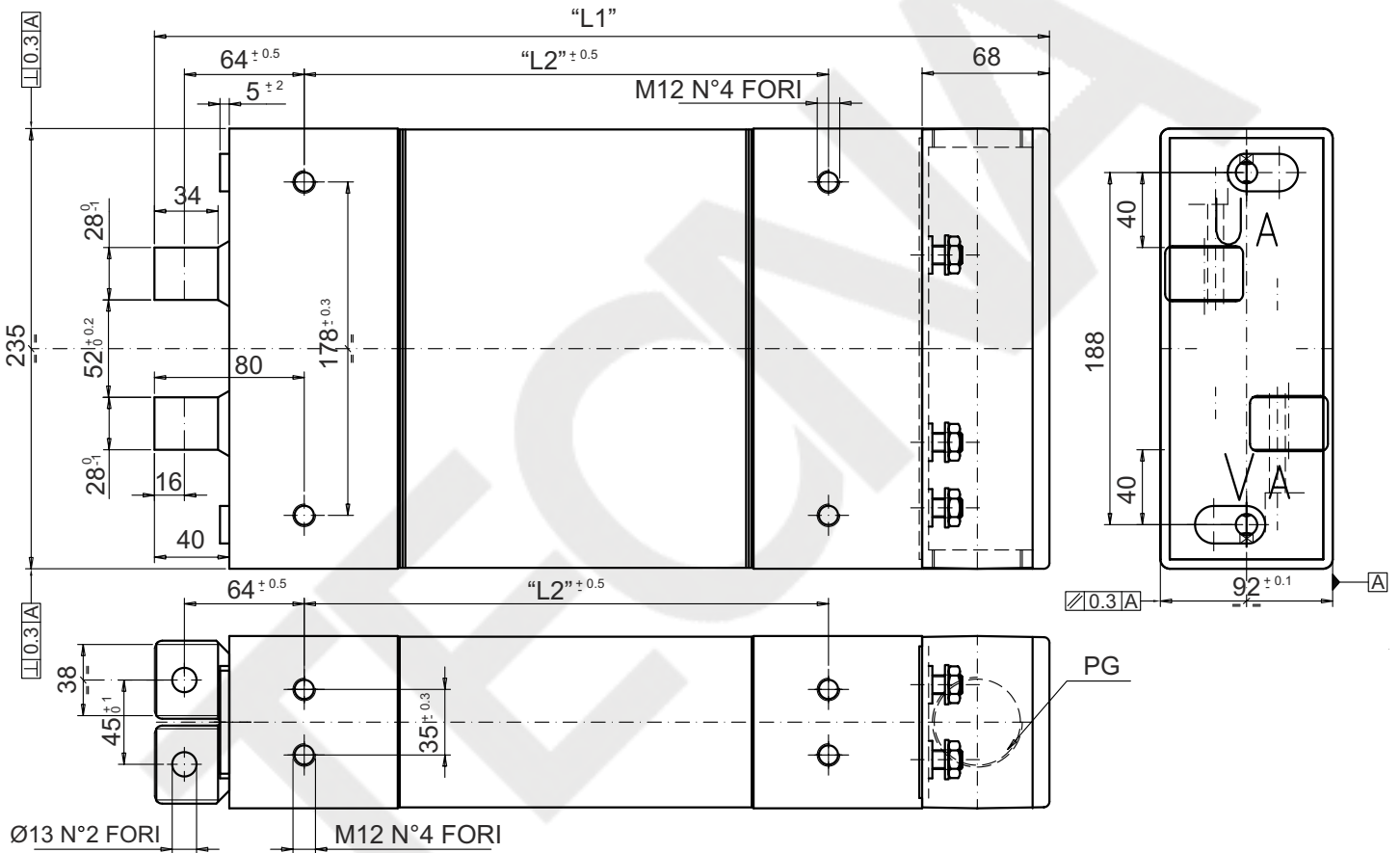
TECNA S.p.A. Specifications subject to change without notice.

# TECNA®

**SINGLE-PHASE  
TRANSFORMERS**  
ISO 5826  
45 ÷ 100 kVA



CONNESS.	DESCRIZIONE CONNESS.
1-3	V=150mV/kA/1000ohm
4-5	TERMOSTATO 90°C
5-6	TERMOSTATO 140°C
4-6	TERMOSTATI N. C.



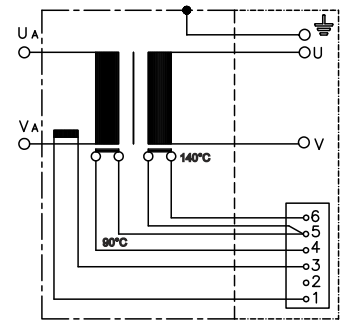
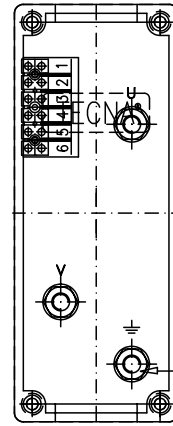
ITEM	kVA	U <sub>i</sub> /Freq Volt/Hz	I <sub>1</sub> 100% A	V <sub>20</sub> Volt				I <sub>2</sub> 100% kA	Vcc %	H <sub>2</sub> O l/min	L1	L2	D	PG	COLOR	kg	ISO
				1	2	3	4										
39893	100	*380/50	186	10,0	-	-	-	7,0	9,4	4	714	515	M10	36	RAL 6011	78	-
40195	63	*380/50	117	10,0	-	-	-	4,4	10,5	4	714	515	M10	36	RAL 6011	77	-
32951	45	*380/50	83	5,2	-	-	-	6,0	11	4	519	320	M10	36	RAL 6011	47	-

\* Different voltages and frequencies on request.

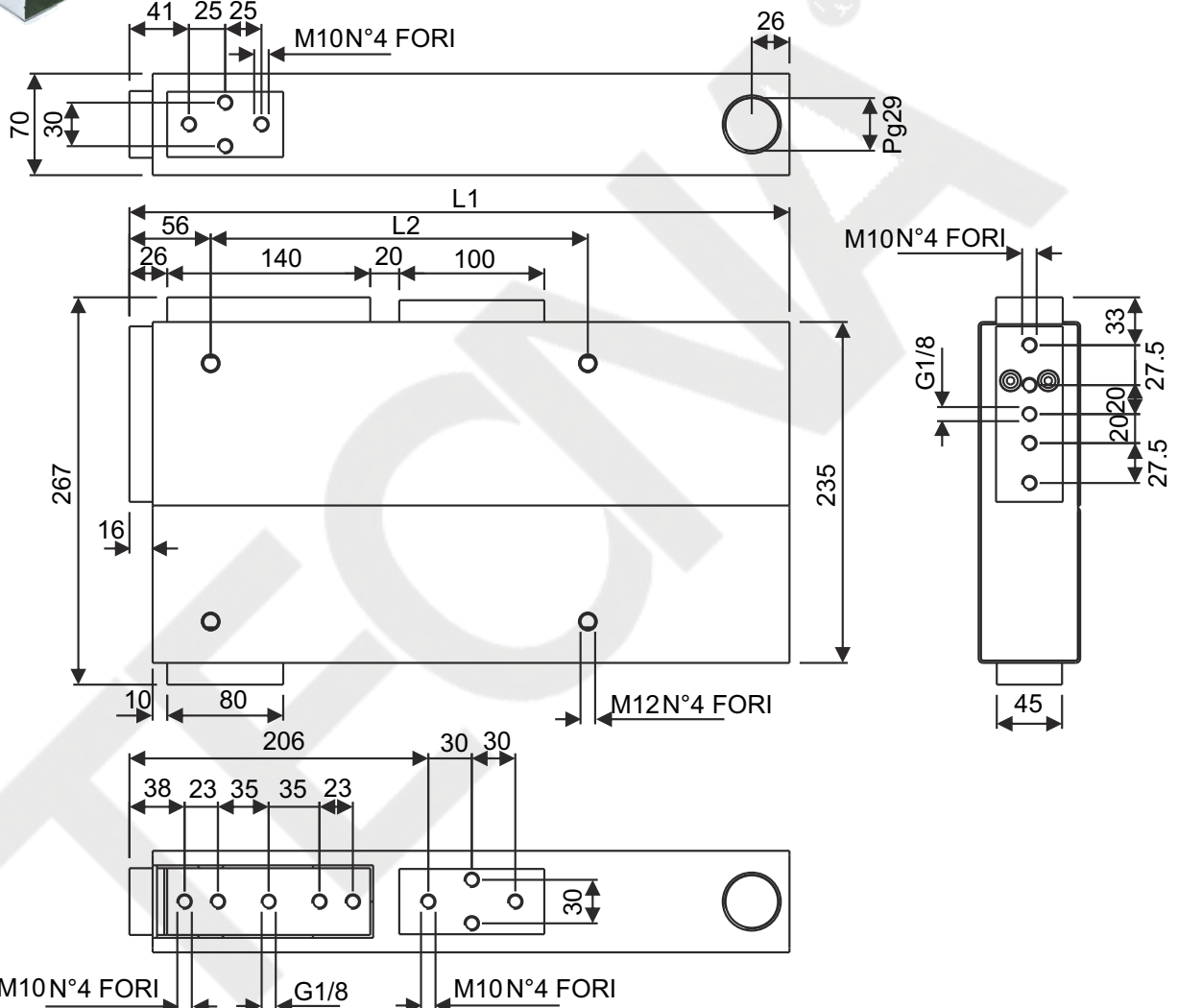
TECNA S.p.A. Specifications subject to change without notice.

# TECNA®

**SINGLE-PHASE  
TRANSFORMERS**  
ISO 5826  
32 ÷ 100 kVA



CONNESS.	DESCRIZIONE CONNESS.
1-3	V=150mV/kA/1000ohm
4-5	TERMOSTATO 90°C
5-6	TERMOSTATO 140°C
4-6	TERMOSTATI N. C.



ITEM	kVA	U <sub>i</sub> /Freq Volt/Hz	I <sub>1</sub> 100% A	V <sub>20</sub> Volt				I <sub>2</sub> 100% kA	Vcc %	H <sub>2</sub> O l/min	L1	L2	D	PG	COLOR	kg	ISO
				1	2	3	4										
35391	100	*400/50	177	8,0	-	-	-	8,8	-	5	755	560	M10	29	ZINCATO - GALVANIZED GALVANISE - GALVANIZADO GALVANISIERT	68	-
41073	63	*400/50	111	6,4	-	-	-	6,9	-	5	655	460	M10	29	ZINCATO - GALVANIZED GALVANISE - GALVANIZADO GALVANISIERT	57	-
41074	45	*400/50	80	4,6	-	-	-	6,8	-	5	555	360	M10	29	ZINCATO - GALVANIZED GALVANISE - GALVANIZADO GALVANISIERT	47	-
41075	32	*400/50	57	3,0	-	-	-	7,3	-	5	455	260	M10	29	ZINCATO - GALVANIZED GALVANISE - GALVANIZADO GALVANISIERT	36	-

\* Different voltages and frequencies on request.

TECNA S.p.A. Specifications subject to change without notice.





They are also available a series of three-phase transformers to direct current.

ITEM	kVA 50%	U <sub>i</sub> /Freq Volt/Hz
70720	630	*380/50
71640	480	*380/50
71428	400	*380/50
71427	250	*400/50
71426	160	*400/50
71429	100	*400/50

\* Different voltages and frequencies on request.



ITEM	kVA 20%	kVA 50%	U <sub>1</sub> /Freq Volt/Hz	V <sub>2d</sub> Volt				I <sub>2</sub> 100% kA	Vcc %	H <sub>2</sub> O l/min	COLOR	kg	ISO
				1	2	3	4						
41930	1050	664	500/1000	12,7	-	-	-	35,6	-	24	INOX	250	-
40266	379	240	500/1000	10,9	-	-	-	14,9	-	15	INOX	85	-
40314	316	200	500/1000	10,4	-	-	-	13,0	-	12	INOX	63	-
37610	253	160	500/1000	12,3	-	-	-	8,8	-	8	INOX	32	-
40139	142	90	500/1000	9,9	-	-	-	6,1	-	6	INOX	27	-
40138	88	56	500/1000	8,4	-	-	-	4,4	-	6	INOX	20	-
43737	80	51	500/1000	6,1	-	-	-	5,4	-	4	INOX	12	-
40365	52	33	500/1000	4,8	-	-	-	4,4	-	4	INOX	13	-
40090	142	90	500/1000	9,9	-	-	-	6,1	-	6	INOX	27	22829
39965	88	56	500/1000	8,4	-	-	-	4,4	-	6	INOX	20	22829

\* Different voltages and frequencies on request.

**Note:**



**Sede Legale - Uffici - Produzione Linea Industriale - Spedizioni**

**Registered office, offices, industrial production and shipments**

**Via Meucci, 27 | Castel San Pietro Terme | GPS N44° 24' 24" - E11° 35' 13"**

**Stabilimento di Produzione Linea Bilanciatori**

**Balancerrrs line production factory**

**Via Miglioli, 36 | Castel San Pietro Terme | GPS N44° 24' 18" - E11° 34' 44"**



**Stabilimento di Produzione Linea Industriale e Linea Professionale**

**Industrial and professional production factory**

**Via Grieco, 25/27 | Castel San Pietro Terme | GPS N44° 24' 18" - E11° 34' 44"**

**TECNA S.p.A. Via Meucci, 27 | 40024 | Castel San Pietro Terme (Bo) | Italia**

**Tel. +39.051.6954.411 | Fax +39.051.6954.490**

**vendite@tecna.net | sales@tecna.net**

**www.tecna.net**