

## 5/2-directional valve, Series AV05

▶ Qn = 600 - 700 l/min ▶ plate connection ▶ Manual override: with detent, without detent, without ▶ single solenoid, double solenoid ▶ Pilot: external



23145

Version	Spool valve, zero overlap
Sealing principle	Soft sealing
Blocking principle	Base plate principle, multiple
Working pressure min./max.	-0.9 bar / 10 bar
Control pressure min./max.	3 bar / 8 bar
Ambient temperature min./max.	-10°C / +60°C
Medium temperature min./max.	-10°C / +60°C
Medium	Compressed air
Max. particle size	40 µm
Oil content of compressed air	0 mg/m³ - 5 mg/m³
	With collective pilot air exhaust
Protection class with connection	IP65
Status display LED	Yellow
Duty cycle	100 %
Mounting screw	Hexalobular socket (TORX) ISO 10664-8
Mounting screw tightening torque	0.5 Nm
Tightening torque tolerance	±0,1
Weight	See table below
<b>Materials:</b>	
Housing	Polyamide, fiber-glass reinforced
Seals	Acrylonitrile butadiene rubber; Hydrogenated acrylonitrile butadiene rubber
End plate	Polyamide, fiber-glass reinforced

### Technical Remarks

- The min. control pressure must be adhered to, since otherwise faulty switching and valve failure may result!
- The pressure dew point must be at least 15 °C under ambient and medium temperature and may not exceed 3 °C.
- The oil content of compressed air must remain constant during the life cycle.
- Use only the approved oils from AVENTICS, see chapter „Technical information“.
- The pilot type (external/internal) is not implemented in the valve, but in the end plate of the valve system.

Operational voltage	Voltage tolerance	Power consumption
DC	DC	DC
		W
24 V	-10% / +10%	0.55

	MO	Operating voltage	Power consumption	Flow conductance		Flow rate value			Switch-on time	Part No.
				b	C	Qn	Qn 1▶2	Qn 2▶3		
		DC	DC							
			[W]		[l/(s*bar)]			[l/min]	[ms]	
		24 V	0.55	0.38	2.54	700	700	600	17	<b>R422103000</b>
		24 V	0.55	0.38	2.54	700	700	600	17	<b>R422103001</b>
	-	24 V	0.55	0.38	2.54	700	700	600	17	R422103077

### 5/2-directional valve, Series AV05

► Qn = 600 - 700 l/min ► plate connection ► Manual override: with detent, without detent, without ► single solenoid, double solenoid ► Pilot: external

	MO	Operating voltage	Power consumption	Flow conductance		Flow rate value			Switch-on time	Part No.
				b	C	Qn	Qn 1►2	Qn 2►3		
		24 V	0.55	0.38	2.54	700	700	600	16	<b>R422103012</b>
		24 V	0.55	0.38	2.54	700	700	600	16	R422103013
	-	24 V	0.55	0.38	2.54	700	700	600	16	R422103083
		24 V	0.55	0.38	2.54	700	700	600	13	<b>R422103002</b>
		24 V	0.55	0.38	2.54	700	700	600	13	<b>R422103003</b>
	-	24 V	0.55	0.38	2.54	700	700	600	13	R422103078

Part No.	Switch-off time	Weight
	[ms]	[kg]
<b>R422103000</b>	26	0.058
<b>R422103001</b>	26	0.058
R422103077	26	0.058
<b>R422103012</b>	22	0.061
R422103013	22	0.061
R422103083	22	0.061
<b>R422103002</b>	13	0.064
<b>R422103003</b>	13	0.064
R422103078	13	0.064

MO = Manual override

Basic valve with pilot valve

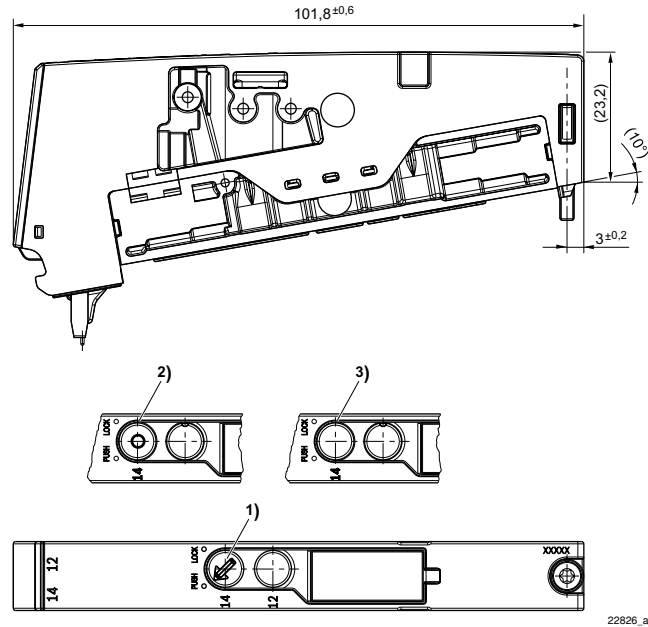
Nominal flow Qn at 6 bar and  $\Delta p = 1$  bar

Valve systems ▶ Valve systems

## 5/2-directional valve, Series AV05

▶ Qn = 600 - 700 l/min ▶ plate connection ▶ Manual override: with detent, without detent, without ▶ single solenoid, double solenoid ▶ Pilot: external

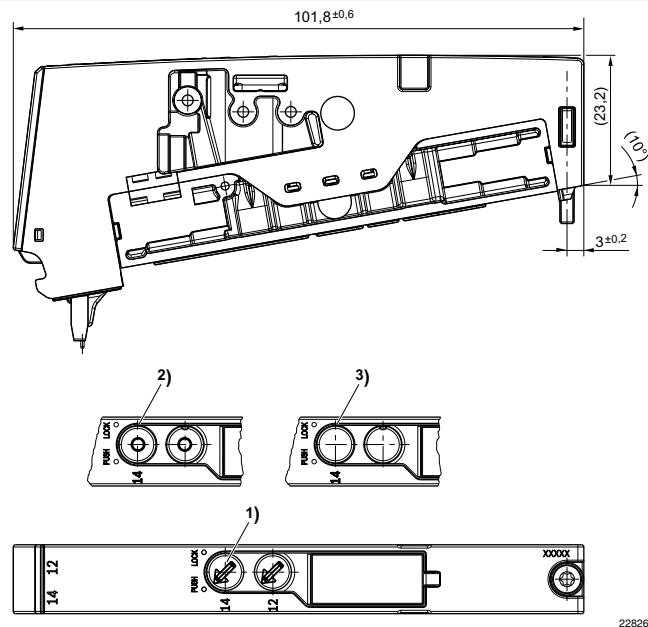
### Dimensions, single solenoid



- 1) Manual override: with detent
- 2) manual override: without detent
- 3) Manual override: without detent

22826\_a

### Dimensions, double solenoid



- 1) Manual override: with detent
- 2) manual override: without detent
- 3) Manual override: without detent

22826