

hp-Motor pump groups; SMG series

3.1

Series B; without overflow valve

Single systems with 1400 min⁻¹ and hp industrial pumps.

Suitable for use with hydraulic oils, lubricating oils, all fuel oils, coal and lignite tar oils, kerosene and many other self-lubricating fluids. The motor output data applies for fluids with a viscosity of up to 80 cSt. From 80 to 150 cSt, the motor must be one power stage stronger. Available at a surcharge upon request.

The pump connections are indicated as follows:

A = suction connection S = delivery connection

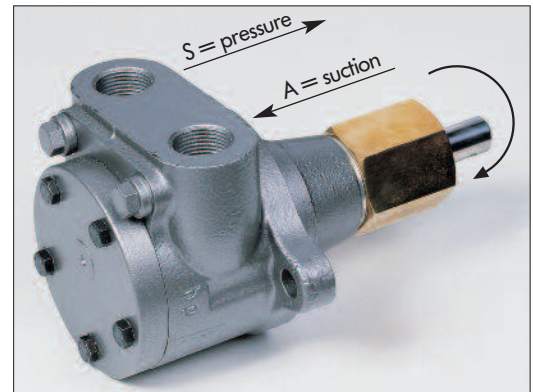


The standard models of the pumps are designed with a counterclockwise direction of rotation (viewed from the pump shaft).

The position of the pump connections is independent of the direction of rotation. (See illustration.)

Direction of rotation I = counterclockwise, standard model

For clockwise rotation, D, the oil connections A = suction and S = delivery are interchanged.



Series size	Pump type	Discharge at 1400 min ⁻¹		Motor output	Connections 1) *	H1 Heater Watt	Gear rotor/shaft	Article-no.	
		at 0 - 9 bar	at 30 bar						
SMG 1501	BP	45 l/h	-	0,18 kW	G 3/8"	100	25/12	0350001	p _{max} 9 bar
SMG 1502	BM	80 l/h	-	0,18 kW	G 3/8"	100	25/12	0350002	
SMG 1503	BG	120 l/h	-	0,18 kW	G 3/8"	100	25/12	0350003	
SMG 1504	BF	160 l/h	-	0,18 kW	G 3/8"	100	25/12	0350004	
SMG 1505	BGP	300 l/h	-	0,18 kW	G 1/2"	100	38/12	0350005	
SMG 1506	BGM	450 l/h	-	0,37 kW	G 1/2"	100	38/12	0350006	
SMG 1507	BGG	600 l/h	-	0,37 kW	G 1/2"	100	38/12	0350007	
SMG 1508	BHP	1000 l/h	-	0,75 kW	G 3/4"	160	56/18	0350008	
SMG 1509	BHM	1500 l/h	-	0,75 kW	G 3/4"	160	56/18	0350009	
SMG 1510	BHG	2000 l/h	-	1,1 kW	G 3/4"	160	56/18	0350010	
SMG 1511	BHGP	3000 l/h	-	1,5 kW	G 1 1/2"	280	75/22	0350011	
SMG 1512	BHGM	4500 l/h	-	2,2 kW	G 1 1/2"	280	75/22	0350012	
SMG 1513	BHGG	6000 l/h	-	3,0 kW	G 1 1/2"	280	75/22	0350013	
SMG 1521	BP	45 l/h	30 l/h	0,18 kW	G 3/8"	100	25/12	0350014	p _{max} 30 bar
SMG 1522	BM	80 l/h	60 l/h	0,18 kW	G 3/8"	100	25/12	0350015	
SMG 1523	BG	120 l/h	100 l/h	0,18 kW	G 3/8"	100	25/12	0350016	
SMG 1524	BF	160 l/h	140 l/h	0,37 kW	G 3/8"	100	25/12	0350017	
SMG 1525	BGP	300 l/h	240 l/h	0,37 kW	G 1/2"	100	38/12	0350018	
SMG 1526	BGM	450 l/h	390 l/h	0,75 kW	G 1/2"	100	38/12	0350019	
SMG 1527	BGG	600 l/h	540 l/h	0,75 kW	G 1/2"	100	38/12	0350020	
SMG 1528	BHP	1000 l/h	700 l/h	1,5 kW	G 3/4"	160	56/18	0350021	
SMG 1529	BHM	1500 l/h	1200 l/h	2,2 kW	G 3/4"	160	56/18	0350022	
SMG 1530	BHG	2000 l/h	1700 l/h	3,0 kW	G 3/4"	160	56/18	0350023	
SMG 1531	BHGP	3000 l/h	2200 l/h	4,0 kW	G 1 1/2"	280	75/22	0350024	
SMG 1532	BHGM	4500 l/h	3600 l/h	5,5 kW	G 1 1/2"	280	75/22	0350025	
SMG 1533	BHGG	6000 l/h	4800 l/h	7,5 kW	G 1 1/2"	280	75/22	0350026	

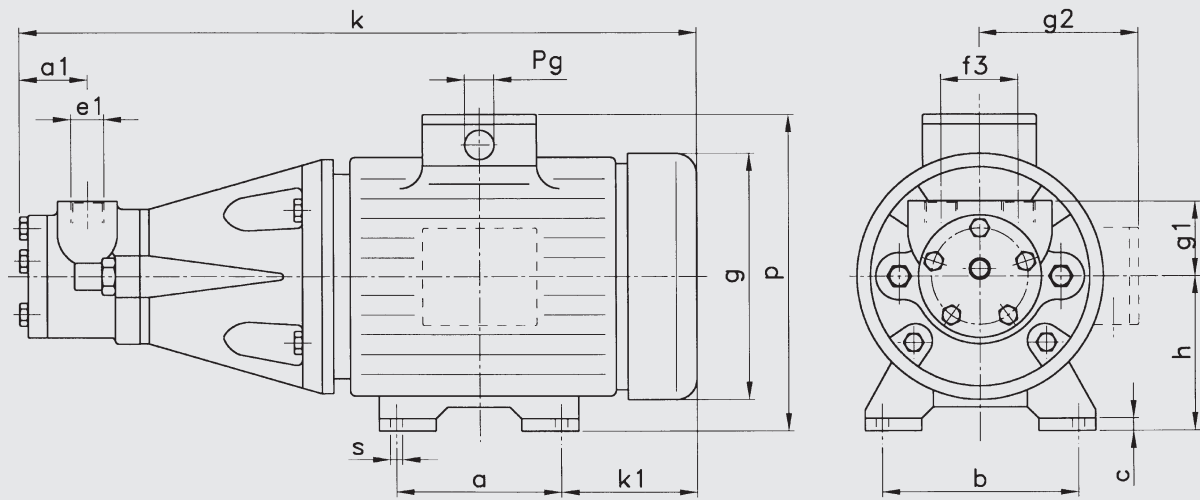
Series size	Pump type	Discharge at 1400 min ⁻¹		Motor output	Connections 1) *	H1 Heater Watt	Gear rotor/shaft	Article-no.	
		at 0 bar	at 40 bar						
SMG 1902	BM	80 l/h	50 l/h	0,18 kW	G 3/8"	100	25/12	0390001	p _{max} 40 bar
SMG 1903	BG	120 l/h	80 l/h	0,37 kW	G 3/8"	100	25/12	0390002	
SMG 1904	BF	160 l/h	120 l/h	0,37 kW	G 3/8"	100	25/12	0390003	
SMG 1905	BGP	300 l/h	200 l/h	0,75 kW	G 1/2"	100	38/12	0390004	
SMG 1906	BGM	450 l/h	360 l/h	1,1 kW	G 1/2"	100	38/12	0390005	
SMG 1907	BGG	600 l/h	480 l/h	1,5 kW	G 1/2"	100	38/12	0390006	
SMG 1908	BHP	1000 l/h	600 l/h	2,2 kW	G 3/4"	160	56/18	0390007	
SMG 1909	BHM	1500 l/h	1000 l/h	3,0 kW	G 3/4"	160	56/18	0390008	
SMG 1910	BHG	2000 l/h	1400 l/h	4,0 kW	G 3/4"	160	56/18	0390009	
SMG 1911	BHGP	3000 l/h	2000 l/h	5,5 kW	G 1 1/2"	280	75/22	0390010	
SMG 1912	BHGM	4500 l/h	3200 l/h	7,5 kW	G 1 1/2"	280	75/22	0390011	

1) Cyl. Withworth Pipe Threading; G...A DIN ISO 228

* To insure proper pump functioning, all pipe connections must be sized as per the principles of fluid technology using the phase quantity and in accordance with the given conditions at the installation site! The size of the pump and/or device connections is not indicative of the size of the pipe connection which must be used.

Series B; without overflow valve

3.1



Series size	Pump type	Dis-charge	Motor output	Dimensions															
				a	a1	b	c	e1	f3	g	g1	g2	h	k	k1	p	s	Pg	
SMG 1501	BP	45 l/h	0,18 kW	80	36	100	7	G 3/8"	38	124	43	-	63	348	63	163	7	11	
SMG 1502	BM	80 l/h	0,18 kW	80	36	100	7	G 3/8"	38	124	43	-	63	348	63	163	7	11	
SMG 1503	BG	120 l/h	0,18 kW	80	36	100	7	G 3/8"	38	124	43	-	63	348	63	163	7	11	
SMG 1504	BF	160 l/h	0,18 kW	80	36	100	7	G 3/8"	38	124	43	-	63	348	63	163	7	11	
SMG 1505	BGP	300 l/h	0,18 kW	80	36	100	7	G 1/2"	44	124	43	-	63	362	63	163	7	11	
SMG 1506	BGM	450 l/h	0,37 kW	90	43	112	7	G 1/2"	44	139	43	-	71	390	69	180	7	11	
SMG 1507	BGG	600 l/h	0,37 kW	90	43	112	7	G 1/2"	44	139	43	-	71	390	69	180	7	11	
SMG 1508	BHP	1000 l/h	0,75 kW	100	49	125	8	G 3/4"	67	157	65	-	80	496	77	197	9,5	11	
SMG 1509	BHM	1500 l/h	0,75 kW	100	49	125	8	G 3/4"	67	157	65	-	80	496	77	197	9,5	11	
SMG 1510	BHG	2000 l/h	1,1 kW	100	49	140	13	G 3/4"	67	181	65	137	90	531	92	214	11	13,5	
SMG 1511	BHGP	3000 l/h	1,5 kW	125	65	140	13	G 1 1/2"	100	181	90	137	90	617	95	214	11	13,5	
SMG 1512	BHGM	4500 l/h	2,2 kW	140	65	160	14	G 1 1/2"	100	202	90	150	100	657	103	235	13	16	
SMG 1513	BHGG	6000 l/h	3,0 kW	140	65	160	14	G 1 1/2"	100	202	90	150	100	657	103	235	13	16	
SMG 1521	BP	45 l/h	0,18 kW	80	36	100	7	G 3/8"	38	124	43	-	63	348	63	163	7	11	
SMG 1522	BM	80 l/h	0,18 kW	80	36	100	7	G 3/8"	38	124	43	-	63	348	63	163	7	11	
SMG 1523	BG	120 l/h	0,18 kW	80	36	100	7	G 3/8"	38	124	43	-	63	348	63	163	7	11	
SMG 1524	BF	160 l/h	0,37 kW	90	36	112	7	G 3/8"	38	139	43	-	71	376	69	180	7	11	
SMG 1525	BGP	300 l/h	0,37 kW	90	43	112	7	G 1/2"	44	139	43	-	71	390	69	180	7	11	
SMG 1526	BGM	450 l/h	0,75 kW	100	43	125	8	G 1/2"	44	157	43	-	80	423	77	197	9,5	11	
SMG 1527	BGG	600 l/h	0,75 kW	100	43	125	8	G 1/2"	44	157	43	-	80	423	77	197	9,5	11	
SMG 1528	BHP	1000 l/h	1,5 kW	125	49	140	13	G 3/4"	67	181	65	137	90	531	92	214	11	13,5	
SMG 1529	BHM	1500 l/h	2,2 kW	140	49	160	14	G 3/4"	67	202	65	150	100	595	110	235	13	16	
SMG 1530	BHG	2000 l/h	3,0 kW	140	49	160	14	G 3/4"	67	202	65	150	100	595	110	235	13	16	
SMG 1531	BHGP	3000 l/h	4,0 kW	140	65	190	15	G 1 1/2"	100	227	90	150	112	679	118	269	13	16	
SMG 1532	BHGM	4500 l/h	5,5 kW	140	65	216	17	G 1 1/2"	100	267	90	183	132	740	140	308	13	21	
SMG 1533	BHGG	6000 l/h	7,5 kW	140	65	216	17	G 1 1/2"	100	267	90	183	132	740	140	308	13	21	
SMG 1902	BM	80 l/h	0,18 kW	80	36	100	7	G 3/8"	38	124	43	-	63	348	63	163	7	11	
SMG 1903	BG	120 l/h	0,37 kW	90	36	112	7	G 3/8"	38	139	43	-	71	376	69	180	7	11	
SMG 1904	BF	160 l/h	0,37 kW	90	36	112	7	G 3/8"	38	139	43	-	71	376	69	180	7	11	
SMG 1905	BGP	300 l/h	0,75 kW	100	43	125	8	G 1/2"	44	157	43	-	80	423	77	197	9,5	11	
SMG 1906	BGM	450 l/h	1,1 kW	100	43	140	13	G 1/2"	44	181	43	-	90	440	92	214	11	13,5	
SMG 1907	BGG	600 l/h	1,5 kW	125	43	140	13	G 1/2"	44	181	43	-	90	440	92	214	11	13,5	
SMG 1908	BHP	1000 l/h	2,2 kW	140	49	160	14	G 3/4"	67	202	65	150	100	595	110	235	13	16	
SMG 1909	BHM	1500 l/h	3,0 kW	140	49	160	14	G 3/4"	67	202	65	150	100	595	110	235	13	16	
SMG 1910	BHG	2000 l/h	4,0 kW	140	49	190	15	G 3/4"	67	227	65	163	112	617	118	269	13	16	
SMG 1911	BHGP	3000 l/h	5,5 kW	140	65	216	17	G 1 1/2"	100	267	90	189	132	740	140	308	13	21	
SMG 1912	BHGM	4500 l/h	7,5 kW	178	65	216	17	G 1 1/2"	100	267	90	189	132	740	140	308	13	21	