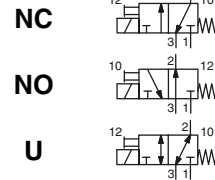




**JOUCOMATIC**

# SOLENOID VALVES

ISO 15218 (CNOMO, size 30) interface  
 direct operated, pad mounting body  
 instant fittings or G1/8 - G1/4 subbases



**3/2**  
 Series  
**192**

## FEATURES

- Size 30 CNOMO pilot adapted for actuators or valves
- Version with M12 connection, integrated led and protection
- Manual operator in standard
- Ideal for all indoor applications. For outdoor applications, consult us

## GENERAL

<b>Fluid</b>	air or neutral gas, filtered, lubricated or not
<b>Operating pressure</b>	0 to 16 bar max. (see table below)
<b>Max. allowable pressure</b>	16 bar
<b>Fluid temperature</b>	-10°C to +60°C
<b>Ambient temperature</b>	-10°C to +60°C
<b>Flow (Qv at 6 bar)</b>	see table below
<b>Response time</b>	7 ms
<b>Base (NC function)</b>	ISO 15218 (CNOMO 06.05.80/NF E 49066, size 30)
<b>(NO and U functions)</b>	AFNOR NF E49067



## CONSTRUCTION

Solenoid valve for interior application, use external: consult us

<b>Body</b>	PAM + FG (glass filled polyarylamide)
<b>Internal parts</b>	stainless steel
<b>Seals</b>	NBR (nitrile) and PUR (polyurethane)
<b>Electrical safety</b>	IEC 335
<b>Encapsulated coil and iron circuit</b>	can be rotated x 360°
<b>Coil</b>	PET, without seal

## ELECTRICAL CHARACTERISTICS

coil type	voltage	consumption		insulation class	protection degree	electrical connection	
		inrush	hold				
size 30	with pins	~ 24V-48V-115V-230V/50Hz	18VA	10VA (7W)	F	IP 65	spade plug size 30 connector, ISO4400/EN175301-803, form A, rotatable by 360°
	=	24V	5,5W / 6,3W (hot/cold)				
	M12 with LED and protection	=	24V	5,5W / 6,3W (hot/cold)		F	

## SPECIFICATIONS

function	orifice size (mm)		flow				allowable differential pressure ΔP (bar)		(M)	catalogue number (-/=)		
	1 → 2	2 → 3	at 6 bar l/min (ANR)		coefficient Kv		min.	max.		solenoid valve with standard connector	solenoid valve with coil without connector	solenoid valve with M12 connection
 NC	SOLENOID VALVE WITH EXHAUST TO THE SUBBASE											
	2,1	2,3	112	154	1,6	2,2	0	12	×	19201001	19201022	19201136
									●	19201002	19201023	19201137
									▼	19201003	19201024	19201138
									■	19201067	19201073	19201154
	1,9	2,1	105	105	1,5	1,5	0	16	×	19201004	19201025	19201139
									●	19201005	19201026	19201140
									▼	19201006	19201027	19201141
									■	19201068	19201074	19201155
	SOLENOID VALVE WITH EXHAUST G1/8 TO THE FRONT SIDE											
	2,1	2,3	112	154	1,6	2,2	0	12	×	19201007	19201028	19201142
									●	19201008	19201029	19201143
								▼	19201009	19201030	19201144	
								■	19201069	19201075	19201156	
1,9	2,1	105	105	1,5	1,5	0	16	×	19201010	19201031	19201145	
								●	19201011	19201032	19201146	
								▼	19201012	19201033	19201147	
								■	19201070	19201076	19201157	

(M) Type of manual operator: × : without ● : maintained ▼ : impulse ■ : button

**NO AND UNIVERSAL FUNCTIONS, SUBBASES** (see next pages)

00422GB-2011/R02 Availability, design and specifications are subject to change without notice. All rights reserved.

All leaflets are available on: [www.asconumatics.eu](http://www.asconumatics.eu)

**SPECIFICATIONS**

function	orifice size (mm)		flow				allowable differential pressure $\Delta P$ (bar)		(M)	catalogue number (~/=)		
	3 → 2	2 → 1	at 6 bar l/min (ANR)		coefficient Kv		min.	max.		solenoid valve with standard connector	solenoid valve with coil without connector	solenoid valve with M12 connection
<b>NO</b> 	<b>SOLENOID VALVE WITH EXHAUST TO THE SUBBASE</b>											
	2,1	1,9	112	105	1,6	1,5	0	10	×	19201013	19201034	19201148
									●	19201014	19201035	19201149
									▼	19201015	19201036	19201150
									■	19201071	19201077	19201158

function	orifice size (mm)		flow				allowable differential pressure $\Delta P$ (bar)		(M)	catalogue number (~/=)		
	1 → 2	2 → 3	at 6 bar l/min (ANR)		coefficient Kv		mini.	maxi.		solenoid valve with standard connector	solenoid valve with coil without connector	solenoid valve with M12 connection
<b>U</b> 	<b>SOLENOID VALVE WITH EXHAUST TO THE SUBBASE</b>											
	1,5	1,5	56	63	0,8	0,9	0	10	×	19201019	19201037	19201151
									●	19201020	19201038	19201152
									▼	19201021	19201039	19201153
									■	19201072	19201078	19201159

(M) Type of manual operator: × : without ● : maintained ▼ : impulse ■ : button

**OPTIONS**

- Other voltages or 60Hz frequency on request
- Solenoid head for dusty explosive atmospheres (DU), classification :  $\text{Ex}$  II 3 D IP65 - T 85°C T135°C (zone 22)
- Connector with cable outlet, 2 m long : catalogue number **88122612**
- Connector with transil protection (see "Coils and Accessories" section)
- Solenoid valve with connector and built-in visual indicator and protection :

<b>catalogue number</b> Solenoid valve <b>without</b> connector (see above)	+ —	<b>catalogue number</b> Connector with built-in visual indicator and RC protection			
		24V (~/=)	48V (~/=)	115V (~/=)	230V (~/=)
		<b>88122603</b>	<b>88122604</b>	<b>88122605</b>	<b>88122608</b>

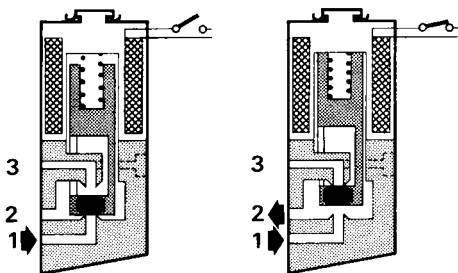
**SOLENOID VALVE WITH M12 CONNECTION COIL**

- Straight M12 connector with 5 female contacts,  $\text{O}6$  to 8mm cable entry, catalogue number: **88100256**
- Straight M12 connector with 5 female contacts, cable length 5m, catalogue number: **88130212**

**FUNCTIONAL DIAGRAM**

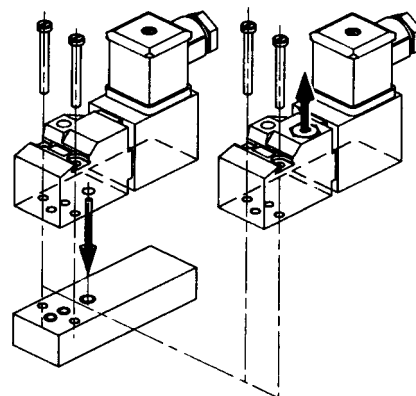
**FUNCTION NC**  
Solenoid valve normally closed at rest

De-energized      Energized



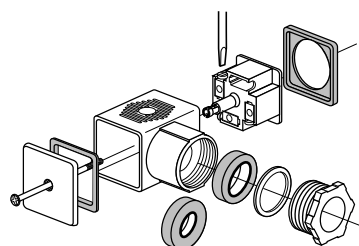
**SELECTION OF THE EXHAUST PORT**

- To the subbase. Collected in subbase
- To front side (G1/8) equipped with an exhaust plug. Exhaust to atmosphere



**CONNECTION TO SIZE 30 DIN CONNECTOR**

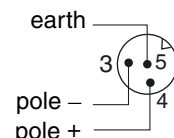
Connector delivered with 2 sealing rings for cable  $\text{O}8 - 10$  mm or cable  $\text{O}6 - 8$  mm.



Top cover removable so that one can check that the coil is energized without unplugging the connector and hence **without interrupting operation** of the solenoid valve.

**CONNECTION TO M12 CONNECTOR**

Easy, simple and reliable connection  
No wiring mistake possible



All leaflets are available on: [www.asconumatics.eu](http://www.asconumatics.eu)

**SUBBASES**

Connection	Type	Composition	catalogue number
With instant fittings	1 single subbase		<b>35300069</b>
	1 joinable subbase		<b>35300070</b>
	Set of 2 juxtaposable end subbases, right-hand pressure intake, ext. Ø 6 mm instant fitting	Plugged endpiece Instant fitting endpiece ext. Ø 6 mm 	<b>35300071</b>
	Set of 2 joinable end subbases, right-hand and/or left-hand pressure intake, ext. Ø 6 mm instant fittings (1)	Plugged endpiece Plug Instant fitting endpiece ext. Ø 6 mm 	<b>35300072</b>
tapped G 1/8	1 single lateral subbase 2 connectable ports		<b>35300047</b>
	1 laterally-connected juxtaposable subbase		<b>35300048</b>
tapped G 1/4	1 single subbase 3 connectable ports	NO NC 	<b>35300049</b>
	1 joinable subbase 3 connectable ports lateral bore Function NF - NO (2)		<b>35300057</b>

These subbases can be directly mounted on symmetrical EN 50022 - AFNOR NF C 63015 standard rail using 2 or more clips (clips sold in packets of 10, cat no. **33400036**).

(1) Equipment can be used for 2 different pressure intakes.

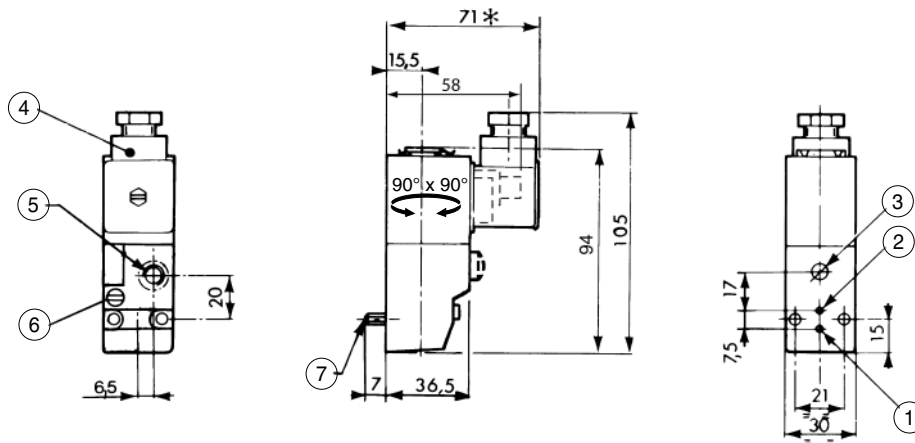
(2) The NC or NO function is obtained by using a specific NC or NO solenoid valve and by reversing position on the subbase.



**DIMENSIONS AND WEIGHTS**

**SINGLE MOUNTED SOLENOID VALVE**

Weight : 0,270 kg



(\*) + 15 mm for plug removal

U : Pressure entry through any port

① Port 1 : Pressure (NC) - Exhaust (NO)

② Port 2 : Outlet

③ Port 3 : Exhaust (NC) - Pressure (NO)

④ Connector rotatable by 90°

⑤ On request : exhaust port G 1/8 with front side protector (NC only)

⑥ Manual operator possible maintained, screw or button

⑦ Secured by screw CM4 x 35

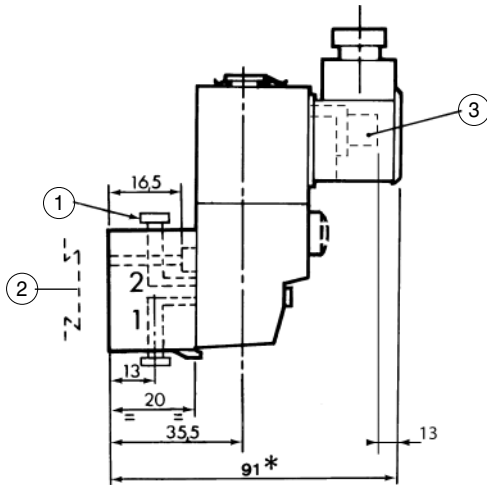
00422GB-2010/R01  
Availability, design and specifications are subject to change without notice. All rights reserved.

**DIMENSIONS AND WEIGHTS**

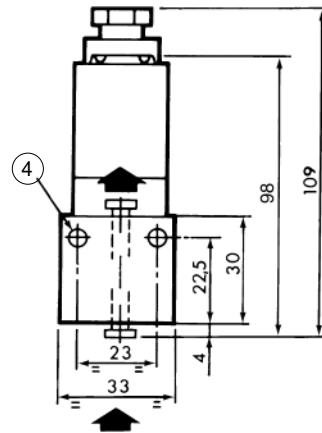
SOLENOID VALVE MOUNTED ON **SINGLE** INSTANT FITTING SUBBASE

Subbase: catalogue number **35300069**

Weight : 0,285 kg



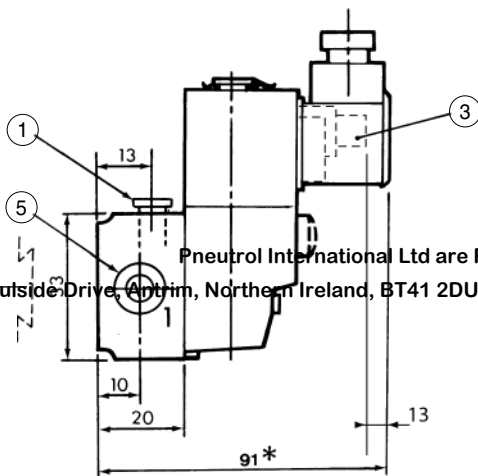
Bottom view



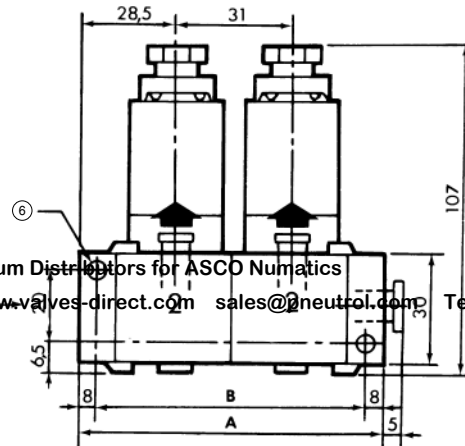
SOLENOID VALVE MOUNTED ON **JOINABLE** INSTANT FITTING SUBBASE

Subbase: catalogue number **35300070**

Subbases with endpieces: catalogue number **35300071**



Bottom view



Contact us : 5 Caulside Drive, Antrim, Northern Ireland, BT41 2DU www.valves-direct.com sales@pneutrol.com Tel: +44 (0) 28 9448 1800

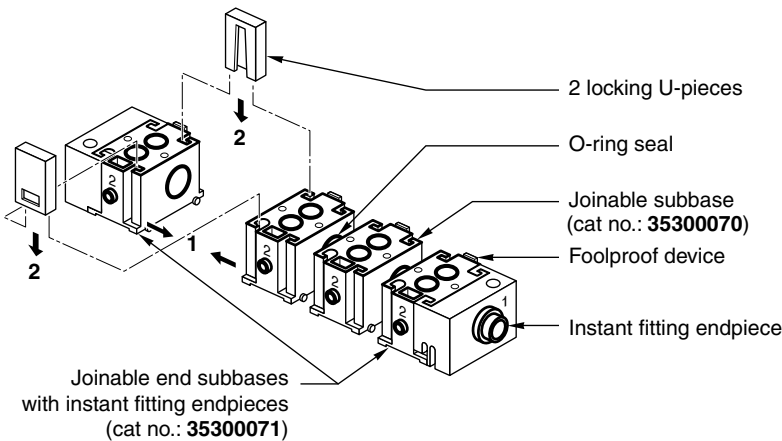
Pneutrol International Ltd are Platinum Distributors for ASCO Numatics

DIMENSION	Number of subbases						
	2	3	4	5	6	7	8
A	88	119	150	181	212	243	274
B	72	103	134	165	196	227	258
Weight (kg) SV + S, base	0,595	0,880	1,165	1,450	1,735	2,020	2,305

Possibility of left-hand pressure intake or 2 different pressure intakes by procuring the set of 2 end subbases cat no.: **35300072**

When mounted on DIN rail, it is recommended to use a securing clip on the end subbases as well as on the central subbase

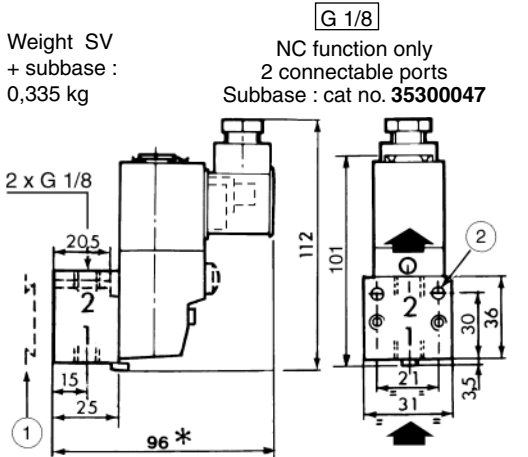
**ASSEMBLY**



- ① Instant fitting connection for ext. Ø 4mm tube
- ② Adaptable clips
- ③ Connector rotatable by 90° ou M12 connector
- ④ 2 Ø 3,5, securing holes Ø 6,5, counterbores depth 3,5
- ⑤ Instant fitting connection for ext. Ø. 6mm tube
- ⑥ 2 Ø 4,5 securing holes
- (\*) + 15 mm for connector clearance

**DIMENSIONS AND WEIGHTS**

**SOLENOID VALVE MOUNTED ON SINGLE SUBBASE**

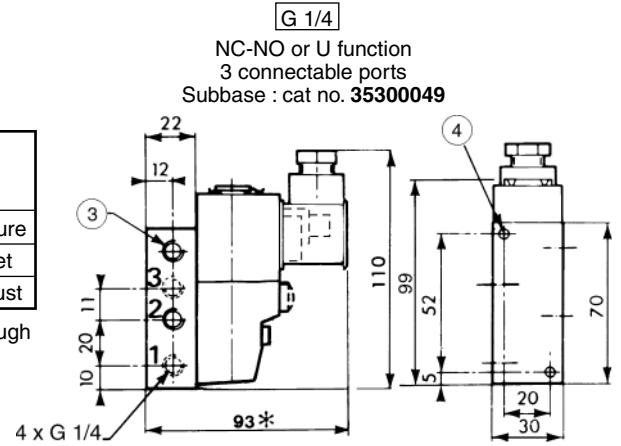


Weight SV  
+ subbase :  
0,335 kg

**G 1/8**  
NC function only  
2 connectable ports  
Subbase : cat no. **35300047**

Ports	Connection	
	NC	NO
3	Exhaust	Pressure
2	Outlet	Outlet
1	Pressure	Exhaust

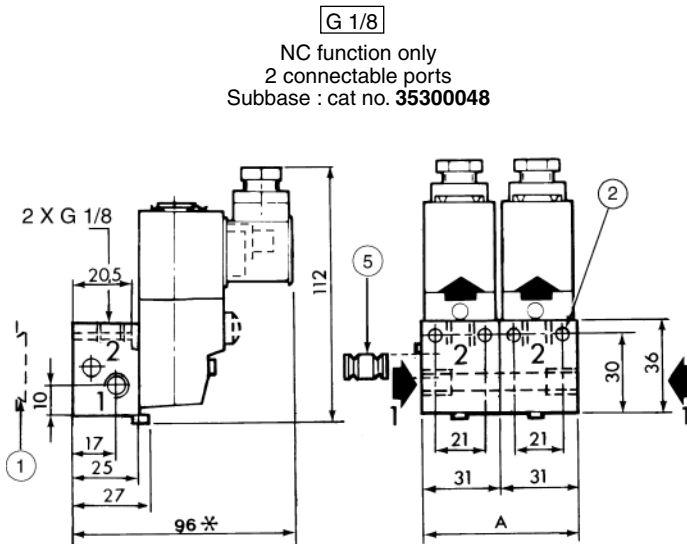
U : Pressure entry through any port



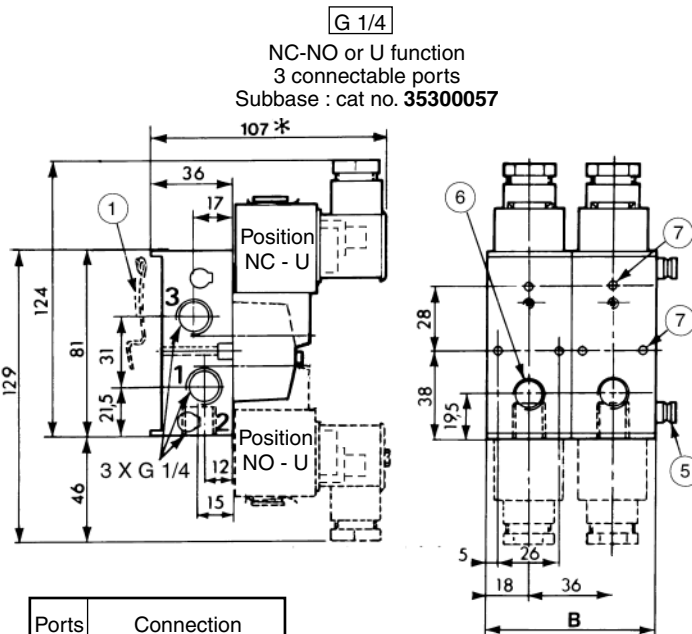
Weight SV  
+ subbase :  
0,395 kg

**G 1/4**  
NC-NO or U function  
3 connectable ports  
Subbase : cat no. **35300049**

**SOLENOID VALVE MOUNTED ON JOINABLE SUBBASE**



**G 1/8**  
NC function only  
2 connectable ports  
Subbase : cat no. **35300048**



**G 1/4**  
NC-NO or U function  
3 connectable ports  
Subbase : cat no. **35300057**

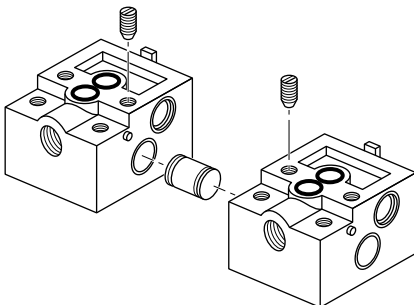
DIMENSION		Number of subbases						
		2	3	4	5	6	7	8
A		62	93	124	155	186	217	248
B		72	108	144	180	216	252	288
Weight (kg)	G 1/8	0,740	1,110	1,480	1,850	2,220	2,590	2,960
SV + subbase	G 1/4	0,880	1,320	1,760	2,200	2,640	3,080	3,520

Ports	Connection	
	NC-NO	ou U
3	Exhaust	
2	Outlet	
1	Pressure	

Subbases delivered with seals, screws and joining units for complete assembly.

**ASSEMBLY**

Joinable subbases put together by joining units locked by sunken set screws.



- ① Adaptable clips
  - ② 2 Ø 4,5 securing holes
  - ③ Non-used port
  - ④ 2 Ø 4,5, securing holes counterbore Ø 8, depth : 6
  - ⑤ Joining unit for putting subbase together. Locked by sunken set screws.
  - ⑥ Port 2 accessible by removing cap
  - ⑦ Securing : 3 Ø 4,5 holes counter-bores : Ø 7,5 depth : 6
- (\*) + 15 mm for connector clearance

When mounted on DIN rails, it is recommended to use 1 securing clip on each end subbase as well as on the central subbase.

00422GB-2010/R01 Availability, design and specifications are subject to change without notice. All rights reserved.

