

PS4 BW

ANSCHLÜSSE

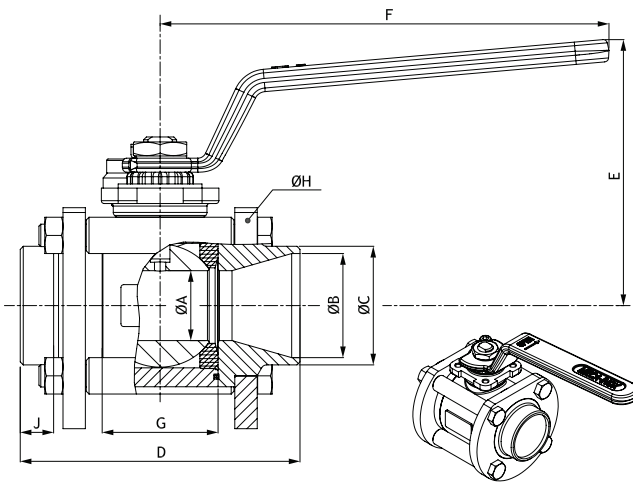
TYPE OF CONNECTIONS

Stumpfschweißung

DN15 - 65
Reduzierter Durchgang
ISO-Rohr

Butt Weld

Size 1/2" to 2 1/2"
Reduced bore
ISO pipe

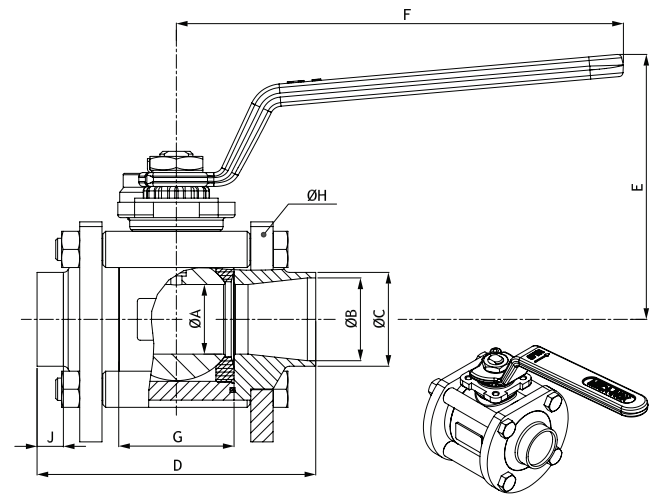


Stumpfschweißung

DN 08 - 50
Voller Durchgang
ISO-Rohr

Butt Weld

Size 1/4" to 2"
Full bore
ISO pipe



DN Size	PN	Ø A	Ø B Edelstahl S.Steel	Stahl C.Steel	Ø C	D	E	F	G	Ø H	J	ISO 5211	Gewicht (kg) Weight (kg)	
V • Reduzierter Durchgang / Reduced bore														
15	1/2"	100	11.1	17.3	15.5	21.3	65	70	120	20.4	56	8.5	F03	0.650
20	3/4"	100	14	22.9	20.5	26.9	70	73	120	24.4	63	8.8	F03	0.800
25	1"	100	19	29.7	27.5	33.7	85	91	160	31.6	80	9.1	F04	1.610
32	1 1/4"	70	25	37.2	34.4	42.4	100	95	160	41.4	88	11.9	F04	2.100
40	1 1/2"	70	32	43.1	40.3	48.3	110	111	190	48.2	104	10.9	F05	3.120
50	2"	50	38	54.5	52.3	60.3	125	116	190	56.2	117	14.1	F05	4.300
65	2 1/2"	50	50	70.3	66.1	76.1	150	137	230	71	148	13.2	F07	8.590
N • Voller Durchgang / Full bore														
08	1/4"	100	11.1	9.5	8.9	13.5	65	70	120	20.4	56	6.4	F03	0.640
12	3/8"	100	11.1	13.2	12.6	17.2	65	70	120	20.4	56	7.3	F03	0.640
15	1/2"	100	14	17.3	15.5	21.3	70	73	120	24.4	63	7.3	F03	0.800
20	3/4"	100	19	22.9	20.5	26.9	85	91	160	31.6	80	7.2	F04	1.610
25	1"	70	25	29.7	27.3	33.7	100	95	160	41.4	88	9.4	F04	2.080
32	1 1/4"	70	32	37.2	34.4	42.4	110	111	190	48.2	104	9.2	F05	3.310
40	1 1/2"	50	38	43.1	40.3	48.3	125	116	190	56.2	117	10.7	F05	4.270
50	2"	50	50	54.5	52.3	60.3	150	137	230	71	148	8.6	F07	8.690

ANSCHLÜSSE

PS4 BW

TYPE OF CONNECTIONS

Stumpfschweißung

DN 80 - 200
Reduzierter Durchgang
ISO-Rohr

Butt Weld

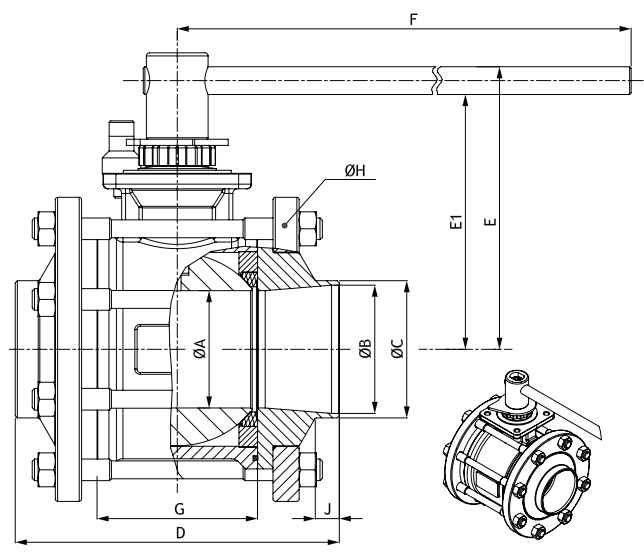
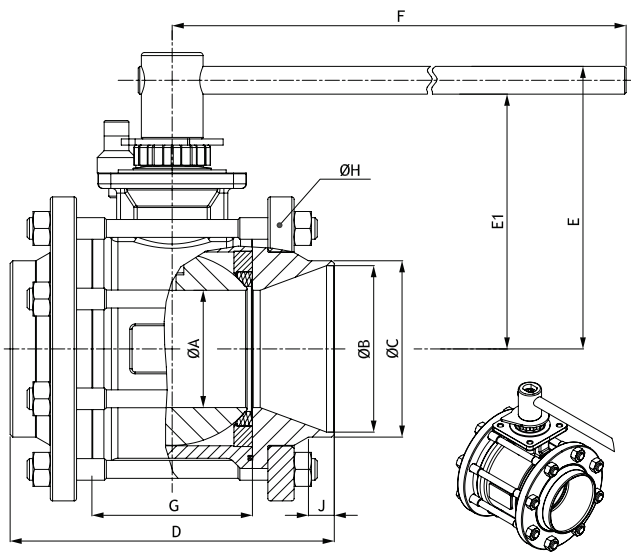
Size 3" to 8"
Reduced bore
ISO pipe

Stumpfschweißung

DN 65 - 150
Voller Durchgang
ISO-Rohr

Butt Weld

Size 2"1/2 to 6"
Full bore
ISO pipe



DN Size	PN	Ø A	Ø B		Ø C	D	E	E1	F	G	Ø H	J	ISO 5211	Gewicht (kg) Weight (kg)	
			Edelstahl S.Steel	Stahl C.Steel											
V • Reduzierter Durchgang / Reduced bore															
80	3"	40	64	83.1	78.9	88.9	180	171	153	370	84	174	12.8	F07	14.840
100	4"	40	76	107.9	101.7	114.3	210	182	165	440	104	197	16.4	F10	22.310
125	5"	25	100	133.7	131.7	139.7	230	204	184	505	130	236	12.9	F10	33.980
150	6"	25	125	162.3	159.3	168.3	260	248	221	710	157	288	11.6	F12	57.940
200	8"	16	150	211.5	207.9	219	290	270	243	710	185	324	12.1	F12	78.900
N • Voller Durchgang / Full bore															
65	2"1/2	40	64	70.3	66.3	76.1	180	171	153	370	84	174	14.4	F07	14.800
80	3"	40	76	83.1	78.9	88.9	210	182	165	440	104	197	14.9	F10	22.510
100	4"	25	100	107.9	101.7	114.3	230	204	184	505	130	236	12.7	F10	34.360
125	5"	25	125	133.7	131.7	139.7	260	248	221	710	157	288	12.6	F12	58.430
150	6"	16	150	162.3	159.3	168.3	290	270	243	710	185	324	10.9	F12	80.860