

NOTICE

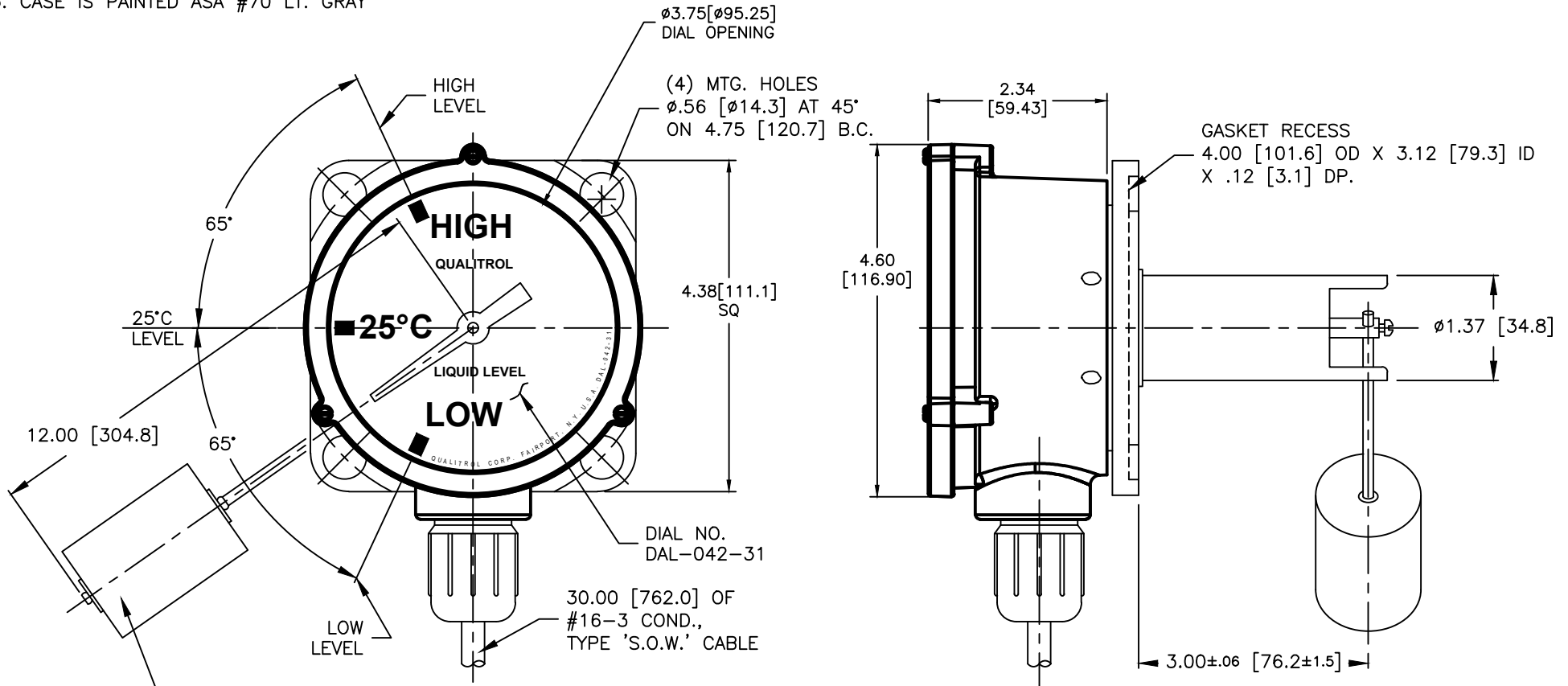
THIS DRAWING IS THE PROPERTY OF QUALITROL COMPANY LLC AND IS LOANED ONLY ON THE CONDITION THAT IT WILL BE USED TO FACILITATE THE PURPOSE FOR WHICH INTENDED AND NOT BE REPRODUCED, COPIED OR OTHERWISE DISPOSED OF, AND IS NOT TO BE USED IN WHOLE OR PART FOR FURNISHING INFORMATION RELATIVE TO THE MAKING OF DRAWINGS, PARTS APPARATUS OR PARTS THEREOF, EXCEPT BY WRITTEN ORDER FROM QUALITROL COMPANY LLC.

MODEL NO. 035-021-01

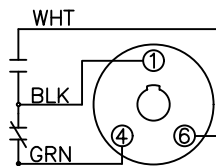
NOTES: (UNLESS OTHERWISE SPECIFIED)

1. ALL DIMENSIONS FOR REFERENCE ONLY AND ARE IN INCHES [MM]
2. CASE ASSEMBLY: SEALED, CONFORMS TO IP65.
3. DIAL: CHARACTERS = WHITE; BACKGROUND = BLACK.
4. POINTER: WHITE
5. CASE IS PAINTED ASA #70 LT. GRAY

6. QUALITROL SWITCH RATING:
 15 AMP @125, 250, 480 VAC
 .5 AMP @ 125 VDC
 .25 AMP @ 250 VDC
7. INSULATION TEST: 1500 VOLTS TO GROUND FOR 60 SECONDS.



WIRING DIAGRAM



SWITCH TO OPERATE AT LOW LEVEL ±2°

-	10/27/21	UPDATE CAS/BEZ TO IP65	38047
C	3-28-91	WAS TYPE S.O. CABLE	14719
B	6-25-86	REDRAWN; ADD Q-TROL P/N'S	12302
LET	DATE	ALTERATION	C.N.

QUALITROL.

DIMENSIONS AND TOLERANCES IN ACCORDANCE WITH ASME Y14.5M-1994

PH. (585) 586-1515
 FAX (585) 377-0220
 1385 FAIRPORT ROAD
 FAIRPORT, NY 14450
 FORM 0-473 REV. F 04/06/06

TITLE: 3.5" LEVEL GAGE
 MODEL NO. 035-021-01