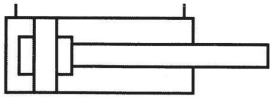
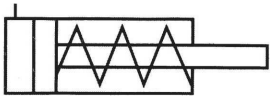


# Clamping Cylinder SDJ / SEJ

## Clamping cylinder SDJ double acting / SEJ single acting



SDJ



SEJ



### Technical Data

general characteristics	
type	compact
piston diameter	20 ... 40 mm
stroke	10 ... 150 mm
connection	G 1/8"
mounting	thread or bore
mounting position	any
temperature range	-20 °C ... +80 °C
materials	cover and cylinder tube: anodised aluminium, piston: stainless steel, sealings: NBR
pneumatic characteristics	
medium	filtered compressed air max. 50 µm
operating pressure	0,2 ... 10 bar

standard stroke	
SEJ 20-40	10, 20, 30, 50
SDJ 20	10, 20, 30, 50, 75, 100
SDJ 30 and 40	10, 20, 30, 50, 75, 100, 125, 150

#### Ordering information:

SDJ	J 101000	<u>XX0XXX</u> cyl.Ø stroke
SEJ	J 100000	<u>XX0XXX</u> cyl.Ø stroke

#### Ordering information:

clamping cylinder, double acting, cyl. Ø20 mm, stroke 50 mm  
SDJ-20/50 J 101000**200050**

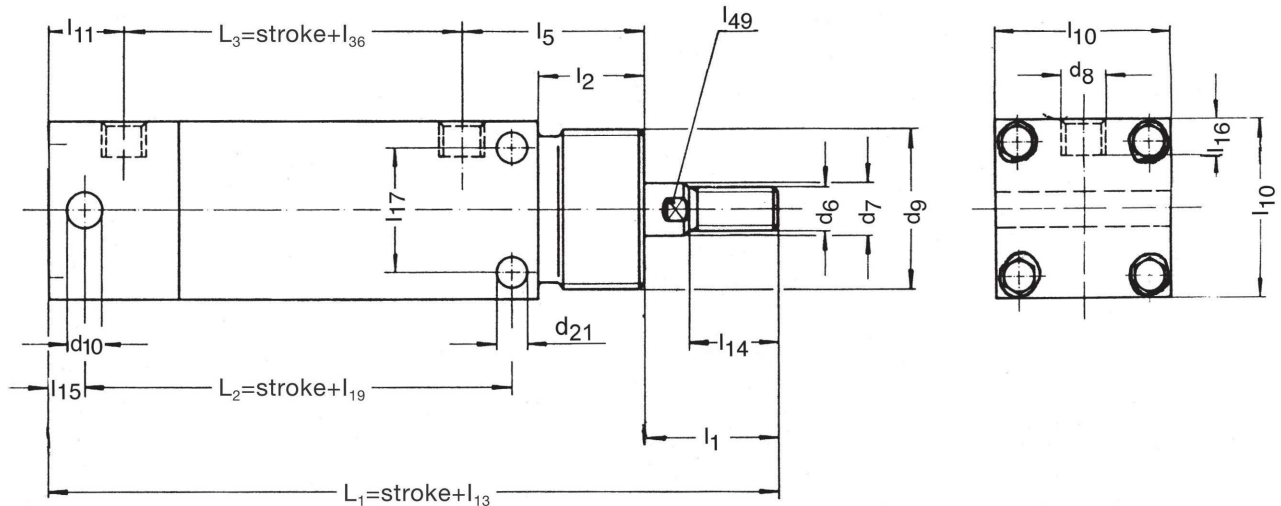
### Retracting force for SEJ-cylinders

piston diameter	extended*	instroke*			
		10 mm	20 mm	30 mm	50 mm
20 mm	29	25	21	17	9
30 mm	63	54	45	37	19
40 mm	62	54	46	39	24

\* retracting force in N

## Dimensions

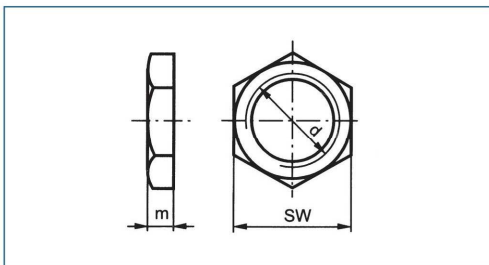
clamping cylinder diameter SDJ/SEJ from 20 mm to 40 mm



piston Ø	$l_1$	$l_2$	$l_5$	$l_{10}$	$l_{11}$	$l_{13}$	$l_{14}$	$l_{15}$	$l_{16}$	$l_{17}$
20 mm	20	20	29	30	15	90	14	6	8	–
30 mm	30	24	41	40	17	115	20	8	8	28
40 mm	31,5	30	48	50	20,5	130	20	10	10	38

piston Ø	$l_{19}$	$l_{36}$	$l_{49}$	$d_6$	$d_7$	$d_8$	$d_9$	$d_{10}$	$d_{21}$
20 mm	–	26	9	M8	10	G 1/8"	M26 x 1,5	6	–
30 mm	47	27	10	M10	12	G 1/8"	M36 x 2	8	7
40 mm	52	30	10	M10	12	G 1/8"	M36 x 2	10	7

## Accessories



piston Ø	d	m	SW	ordering number
20 mm	M26 x 1,5	8	36	E 140010000
30 mm	M36 x 2	9	46	E 140010001
40 mm	M36 x 2	9	46	E 140010001

Fork joint see datasheet 1.6650

## Spare parts

## Ordering information

type	ordering number for piston diameter		
	20 mm	30 mm	40 mm
SDJ	J 060200003	J 060300003	J 060400003