

# CVM-C5

## Multifunctional multimeter for panel



### Description

The **CVM-C5** is a panel mounted (96 x 96 mm) multimeter that records energy values. Compact and intuitive, with 4-quadrant measurement (Consumption and Generation). The **CVM-C5** is suitable for Low Voltage installations, in both 3 and 4-wire three-phase circuits, two-phase circuits with or without neutral, single-phase circuits or ARON connections.

Display features and interface:

- Quick display of parameters with a single button
- Clearly displays the electric parameters of the installation
- Displays the electricity consumption value according to the cost per kWh
- kgCO<sub>2</sub> consumption/generation indicator or according to the energy source
- Backlit LCD screen
- Operating hour indicator for preventive maintenance.

Other features:

- Modbus/RS-485 communications (optional)
- Measurement with **CIRCUTOR's MC** efficient current transformers or .../5 A, .../1 A or .../333 mV transformers.
- 1 digital output (S0 interface)
- 1 digital input (tariff or energy source selection)
- Maximum, minimum values and maximum demand.

### Applications

- Recording and displaying the consumption of energy from two different sources (network/generator set).
- Generation of an impulse signal associated with the cost, kgCO<sub>2</sub> emissions or savings, according to the consumption or generation of energy.
- Generation of alarms with a transistor output; configurable parameters: Low/High, hysteresis (%), NO/NC, connection/disconnection delay and interlocking.

### Technical features

<b>Power circuit</b>	Power supply voltage	85-265 Vac / 50...60 Hz 95-300 Vdc
	<b>Measurement circuit</b>	Voltage
<b>Accuracy class</b>	Frequency	45 ... 65 Hz
	Current	.../5 A or .../1 A <b>MC</b> : .../250 mA .../333 mV
	Sampling	32 samples/cycle
	V, A	0,5%
<b>Output</b>	Power / Energy	1%
	1 digital output	S0 interface Configurable, up to 1,000 impulses per kW-h, kvar-h, etc. (24 Vdc max., 50 mA, 5 imp/s, Configurable Max. T <sub>on</sub> /T <sub>off</sub> )
<b>Input</b>	1 digital input	Tariff selection, NPN, optocoupled
<b>Communications</b>	Protocol	RS-485 Modbus/RTU (depending on model)
	Speed	9600, 19200, 38400
	Bit, parity, stop	8, n, 1
<b>Build features</b>	Enclosure	VO self-extinguishing plastic
	IP protection degree	Front panel: IP 51 Rear: IP 21
	Dimensions	96,7 x 96,7 x 62,60 mm
<b>Environmental conditions</b>	Working temperature	-5...+45 °C
	Storage temperature	-10...+50 °C
	Relative humidity	5 ... 95%
	Maximum altitude	2000 m
<b>Safety</b>	Class III according to <b>EN 61010</b> Double-insulated electric shock protection, Class II	
<b>Standards</b>	<b>IEC 664, VDE 0110, UL 94, IEC 801, IEC 348, IEC 571-1, EN 61000-6-3, EN 61000-6-1, EN 61010-1, CE, UL certified</b>	

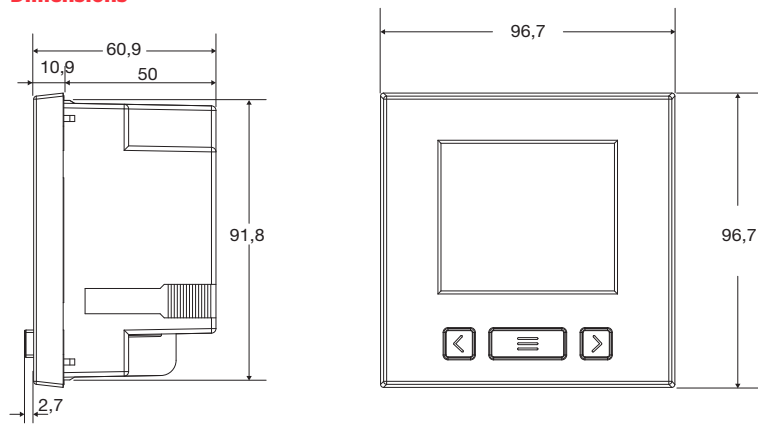
# CVM-C5

## Multifunctional multimeter for panel

### References

Current input	Inputs	Outputs	Communication	Type	Code
.../5 A, .../1 A	1	1	-	CVM-C5-IC	M55853
.../250 mA	1	1	-	CVM-C5-MC-IC	M55873
.../333 mV	1	1	-	CMV-C5-mV-IC	M558730000V00
.../5 A, .../1 A	-	1	RS-485	CVM-C5-ITF-485-C	M55884
.../5 A, .../1 A	1	-	RS-485	CVM-C5-ITF-485-I	M55885
.../250 mA	-	1	RS-485	CVM-C5-MC-485-C	M55894
.../250 mA	1	-	RS-485	CVM-C5-MC-485-I	M55895
.../333 mV	-	1	RS-485	CVM-C5-mV-485-C	M558940000V00
.../333 mV	1	-	RS-485	CVM-C5-mV-485-I	M558950000V00

### Dimensions



### Connections

Three-phase + neutral connection  
with or without voltage transformers

Single-phase connection  
with or without voltage transformers

