

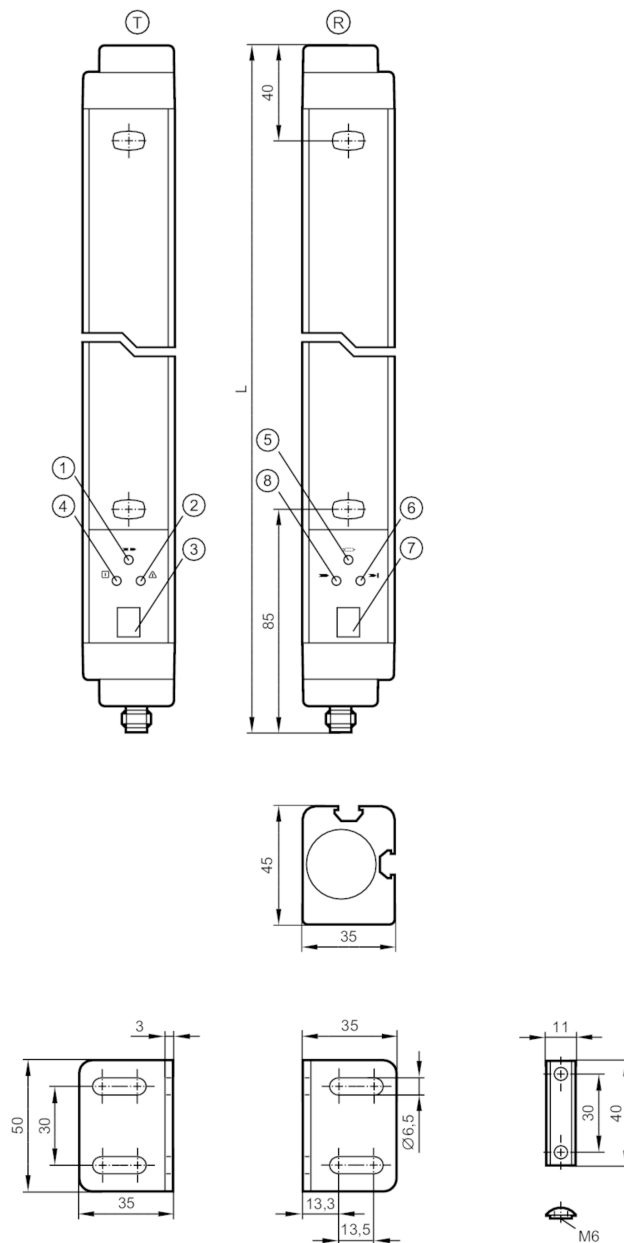
OY807S



Safety light curtain

OYA1060-14-4-05-P-1-B

For 8-wire cordsets the core colors are not standardized.
Please note the wiring of the sensor and the cordsets (see data sheet).



- T transmitter
- R receiver
- 1 LED yellow
- 2 LED red
- 3 7-segment LED display
- 4 LED green
- 5 LED yellow
- 6 LED red
- 7 7-segment LCD display
- 8 LED green



OY807S



Safety light curtain

OYA1060-14-4-05-P-1-B

Product characteristics	
Type of light	Infrared light
Electrical design	PNP
Protection	IP 65
Application	
Protective function	Access prevention finger protection
Electrical data	
Operating voltage tolerance [%]	20
Operating voltage [V]	24 DC
Protection class	III
Reverse polarity protection	yes
Power-on delay time [s]	< 18
Type of light	Infrared light
Wave length [nm]	950
Receiver	
Current consumption [mA]	125
Transmitter	
Current consumption [mA]	83
Outputs	
Electrical design	PNP
Number of OSSD outputs	2
Max. current load per OSSD output [mA]	500; (24 V)
Short-circuit protection	yes
Monitoring range	
Protected area height [mm]	1060
Resolution (detection capacity d) [mm]	14
Protection area width (low light intensity) [m]	0...3
Protection area width (high light intensity) [m]	0...5
Floating blanking	yes
Reaction times	
Response time [ms]	17
Operating conditions	
Applications	Class C to EN 60654-1 weatherproof application
Ambient temperature [°C]	0...55
Max. relative air humidity [%]	95
Protection	IP 65
Tests / approvals	
EMC	IEC 61496-1
Shock resistance	IEC 61496-1
Vibration resistance	IEC 61496-1

OY807S



Safety light curtain

OYA1060-14-4-05-P-1-B

Safety classification

ESPE type (IEC 61496-1)	4
Complies with the requirements	ISO 13849-1: 2015 Category 4, PL e
	IEC 61508 SIL 3
	IEC 62061 SIL 3
Mission time TM [h]	175200
PFH [1/h]	1,9E-08

Mechanical data

Weight [g]	5475
Dimensions [mm]	1161 x 35 x 45
Material	housing: aluminum; front lens: PC
Length L [mm]	1161

Displays / operating elements

Display	transmitter	3 x LED
	transmitter	7-segment LCD display
	receiver	3 x LED
	receiver	7-segment LCD display

Accessories

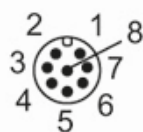
Items supplied	Assembly angle: 4
	Slot nuts: 4
	screws

Remarks

Pack quantity	1 pcs.
---------------	--------

Electrical connection - receiver

Connector: 1 x M12; coding: A; Maximum cable length: 100 m; for wire cross-section 0.34 mm²



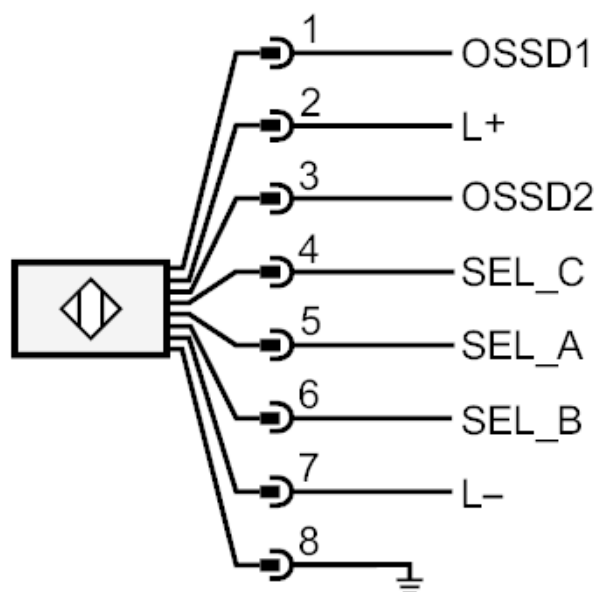
OY807S



Safety light curtain

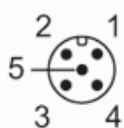
OYA1060-14-4-05-P-1-B

Connection



Electrical connection - transmitter

Connector: 1 x M12; coding: A



OY807S



Safety light curtain

OYA1060-14-4-05-P-1-B

Connection

