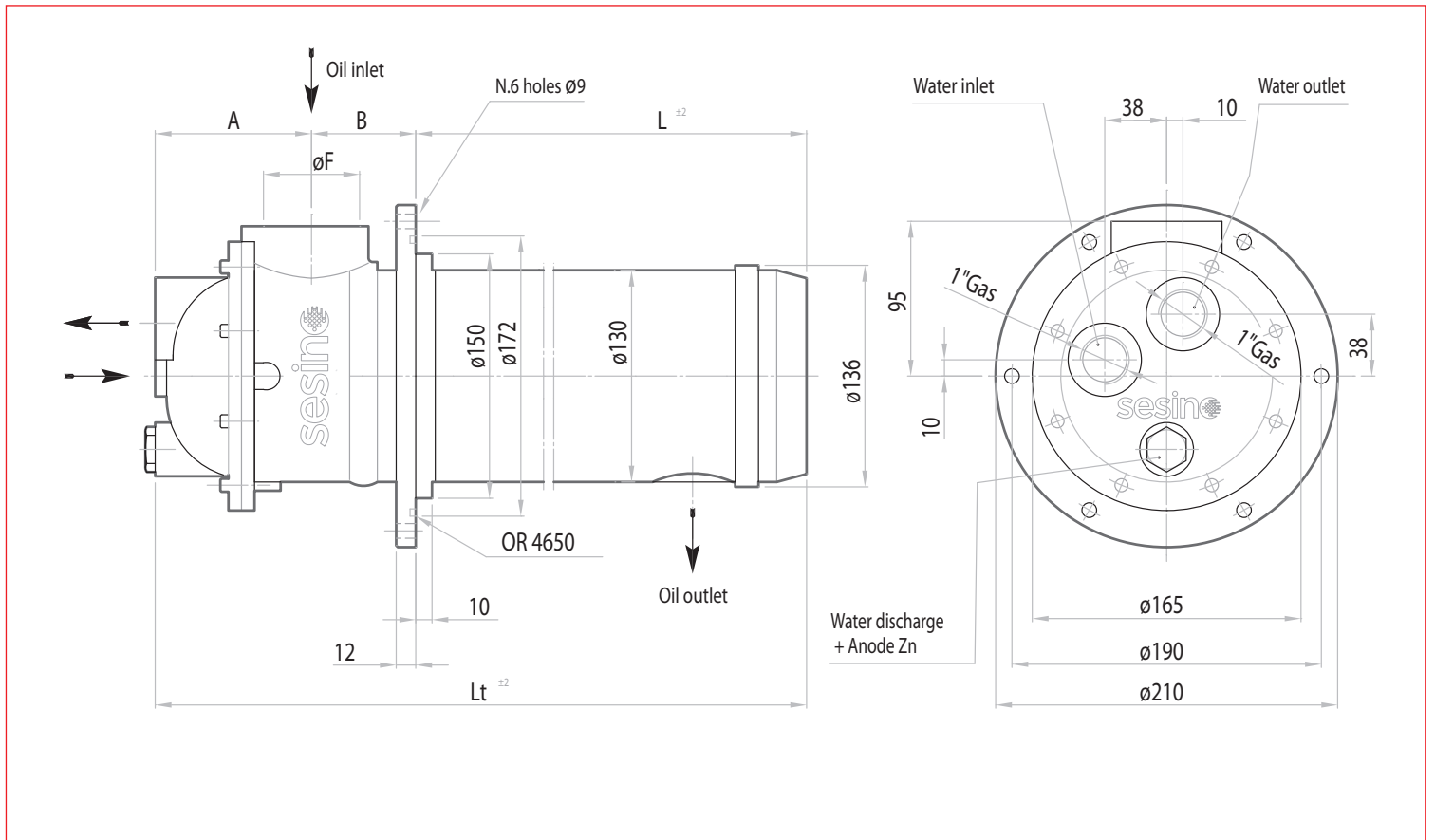


CONSTRUCTION MATERIALS		
SHELL	TUBES	END COVERS
BRASS*	COPPER*	CAST IRON*

\*standard

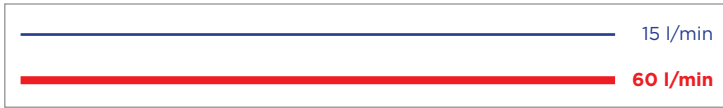
- Dimensions and technical characteristics are not binding



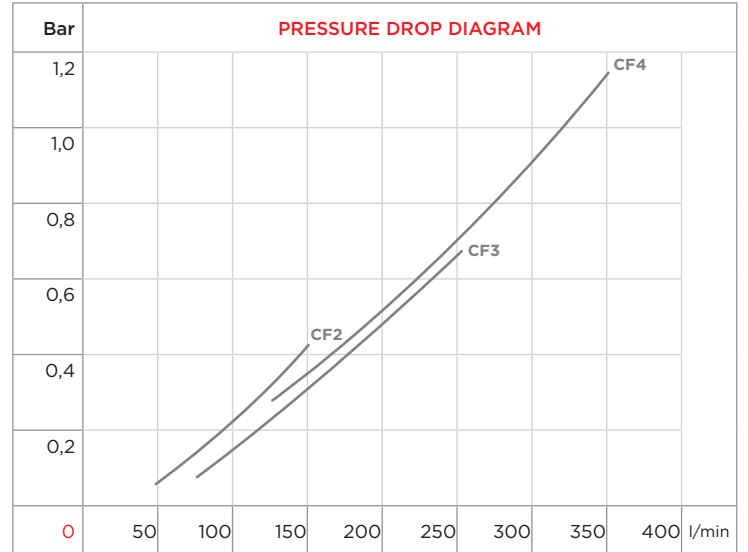
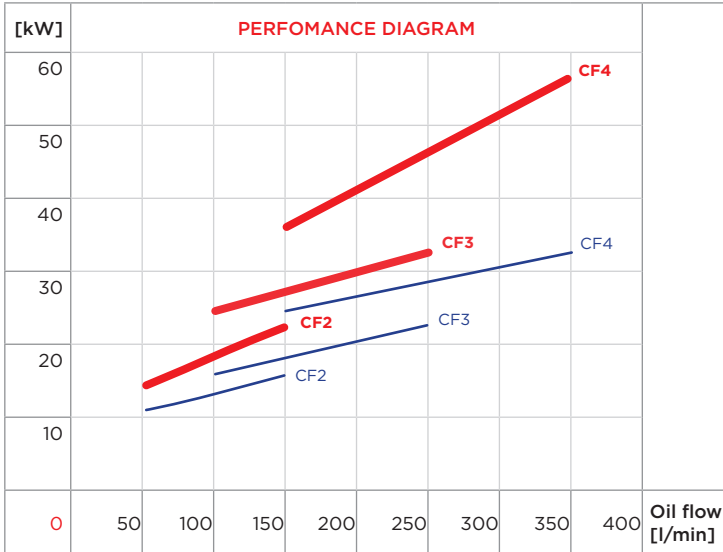
TYPE	CODE	OIL FLOW l/min	WATER FLOW l/min	kW MIN water flow		kW MAX water flow		WEIGHT kg	DIMENSIONS				
				$\Delta T_m$ 25° C		$\Delta T_m$ 25° C			F	A	B	L	Lt
MS 134 CF2	2SC134CF2	50-150	15-60	11	16	14	23	16,7	1 1/2" gas	80	60	314	462
MS 134 CF3	2SC134CF3	100-250	15-60	18	24	25	34	20,8	2" gas	88	60	465	613
MS 134 CF4	2SC134CF4	150-350	15-60	25	33	37	56	24,8	2" gas	88	60	635	783
MS 134 CF5	2SC134CF5	80-250	15-60	25	34	37	59	29,3	2" gas	88	60	817	965
MS 134 CF7	2SC134CF7	200-400	15-60	35	47	54	78	41,6	2" gas	88	60	1135	1283



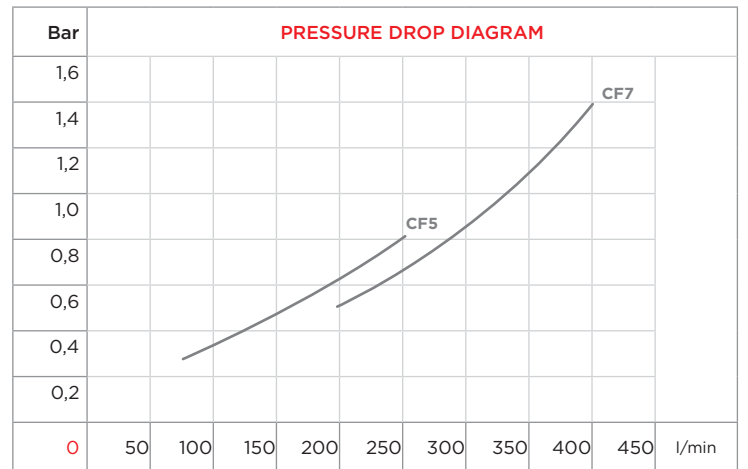
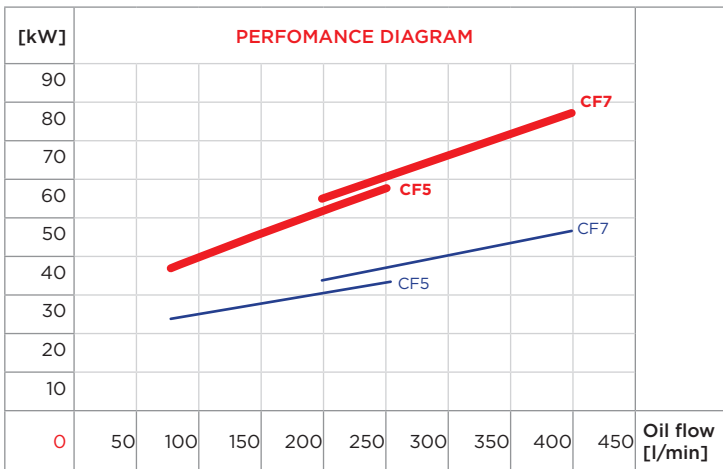
WATER FLOW RATE:



CF2 CF3 CF4



CF5 CF7



CORRECTION FACTOR							
$\Delta T_m$	10	15	20	25	30	35	40
f	2,5	1,67	1,25	1	0,83	0,71	0,63

CORRECTION FACTOR							
cSt	22	30	46	68	100	150	220
f	0,4	0,6	1	1,5	2,3	3,3	4,6