

Globe valves, manually operated

DIN flanges

Bronze

Bronze Econ® globe valves with bronze disc and seat, pressure rating PN 6/10/16, straight and angle pattern, flat faced flanges according to DIN PN 10/16, bolted bonnet, outside screw & yoke. Heavy pattern for ship building industry
Application: the valves offer good resistance to corrosive action of seawater, fresh water and waste water.

Application area: aboard ships, etc. but also in installations where internal or external corrosion is undesirable.

Material specification

Component	Material	EN and/or (DIN)	W.nr.
Body, bonnet, disc, gland	Bronze	CuSn5Zn5Pb5-C (G-CuSn5ZnPb (Rg 5))	2.1096.01
Stem	Brass	CuZn35Ni3Mn2AlPb (CuZn35Ni)	2.0540
Stud bolts, nuts	Stainless steel		
Bonnet gasket, gland packing	Graphite		
Handwheel	Cast iron		

Pressure and temperature range

Bore	Pressure rating	Pressure and temperature range
DN 15 - 150	PN 16	16 bar - 120 °C
		12 bar - 200 °C
DN 200	PN 10	10 bar - 120 °C
		8 bar - 200 °C
DN 250 - 300	PN 6	6 bar - 120 °C

Options

- Face To Face according to DIN 86260 / 86261
- Low zinc bronze (Fig. 1272 / 1273)
- Zinc-free bronze
- Full aluminium construction (Fig. 1270LM and 1271LM)
- Larger sizes

Ordering information

Ordering code	Model	Disc type	DN [mm]	Pressure rating
1270	Straight	Fixed disc	15 - 300	PN 6 - 10 - 16
1270LK	Straight	SNDR disc	15 - 300	PN 6 - 10 - 16
1271	Angle	Fixed disc	15 - 300	PN 6 - 10 - 16
1271LK	Angle	SNDR disc	15 - 300	PN 6 - 10 - 16

DN 15 - 150: PN 16, DN 200: PN 10, DN 250 - 300: PN 6



Fig. 1270



Fig. 1271

Dimensions

DN	Pressure rating	A	L	L1	H	H1	M	Weight	
								Fig. 1270	Fig. 1271
[mm]		[mm]						[kg]	
15	PN 16	95	120	65	175	175	100	4.3	4
20	PN 16	105	120	65	175	175	100	5	5.5
25	PN 16	115	140	70	178	178	125	6	6.2
32	PN 16	140	150	90	200	200	125	8.7	8.4
40	PN 16	150	155	90	220	220	140	10	10
50	PN 16	165	180	105	250	250	140	13.2	12.8
65	PN 16	185	200	115	260	260	140	23	23.2
80	PN 16	200	240	125	300	300	180	31.9	31
100	PN 16	220	270	145	350	350	200	42.8	41
125	PN 16	250	320	170	380	380	220	62	65
150	PN 16	285	370	200	440	440	280	88	89
200	PN 10	340	500	250	620	570	315	136	127
250	PN 6	395	730	325	670	550	400	165	155
300	PN 6	445	850	375	750	620	400	295	225

DN 250 and DN 300 fitted with PN 10 flanges

econosto®



econ®

Bolted bonnet, outside screw & yoke Metal seated

- fig. 1270
- fig. 1270LK
- fig. 1271
- fig. 1271LK
- Pressure rating PN 6 - 10 - 16
- DN 15 - 300
- Max. 200 °C
- Maritime use
- Straight and angle pattern
- Fixed or SDNR disc
- Bronze disc and seat
- Certified material

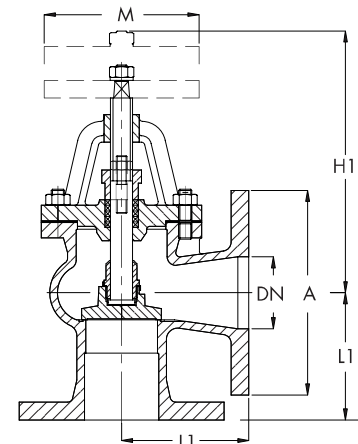


Fig. 1271

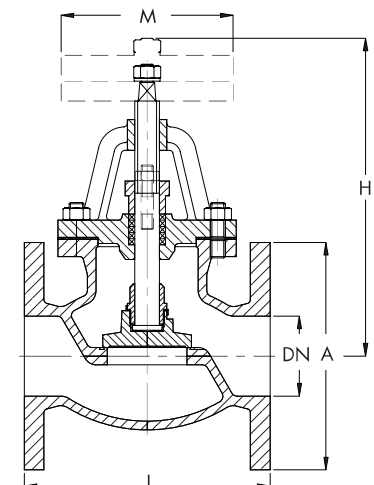


Fig. 1270