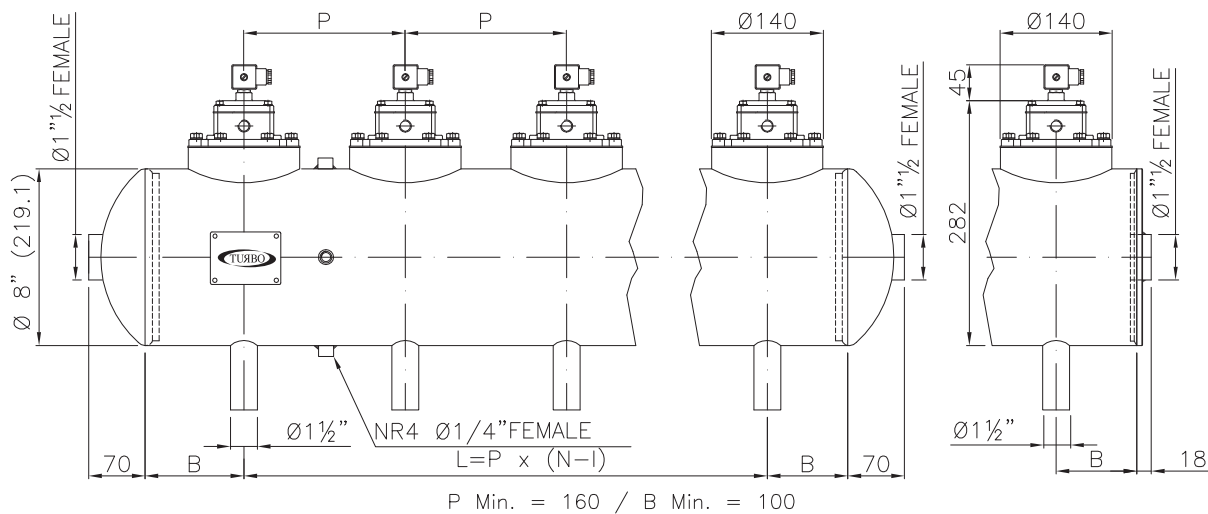


INTEGRAL Series dn 8" with valves 1 1/2"

8"

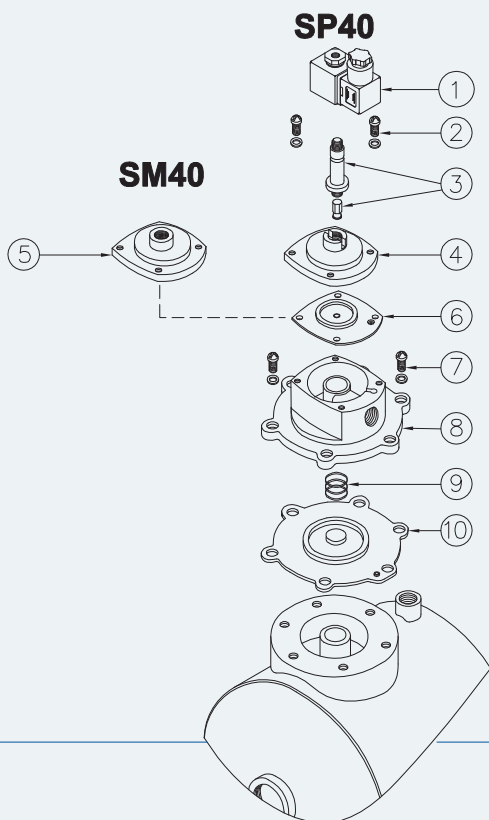
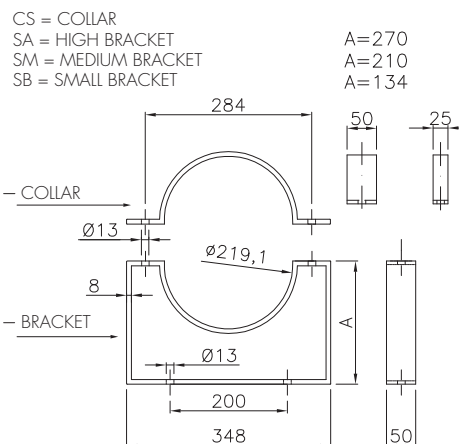


DESCRIPTION

VALVE SM40/SP40

1	Coil + Din connector	BH10...V/50-60Hz
2	Screws + Washer	VTE6x20+VROS6
3	Pole assembly	GPC 10
4	Cover	TCOP 25
5	Remote operated cover	TCOP 25FM
6	Diaphragm	M25
7	Screws + Washer	VTE8x20+VROS8
8	Cover	TCOP40N
9	Spring	TMOL40
10	Main diaphragm	M40

BRACKETS



SHORT PLAIN TUBE = G1
 LONG PLAIN TUBE = G2
 THREADED LONG TUBE = G3
 THREADED SHORT TUBE = G4

1 1/2"

