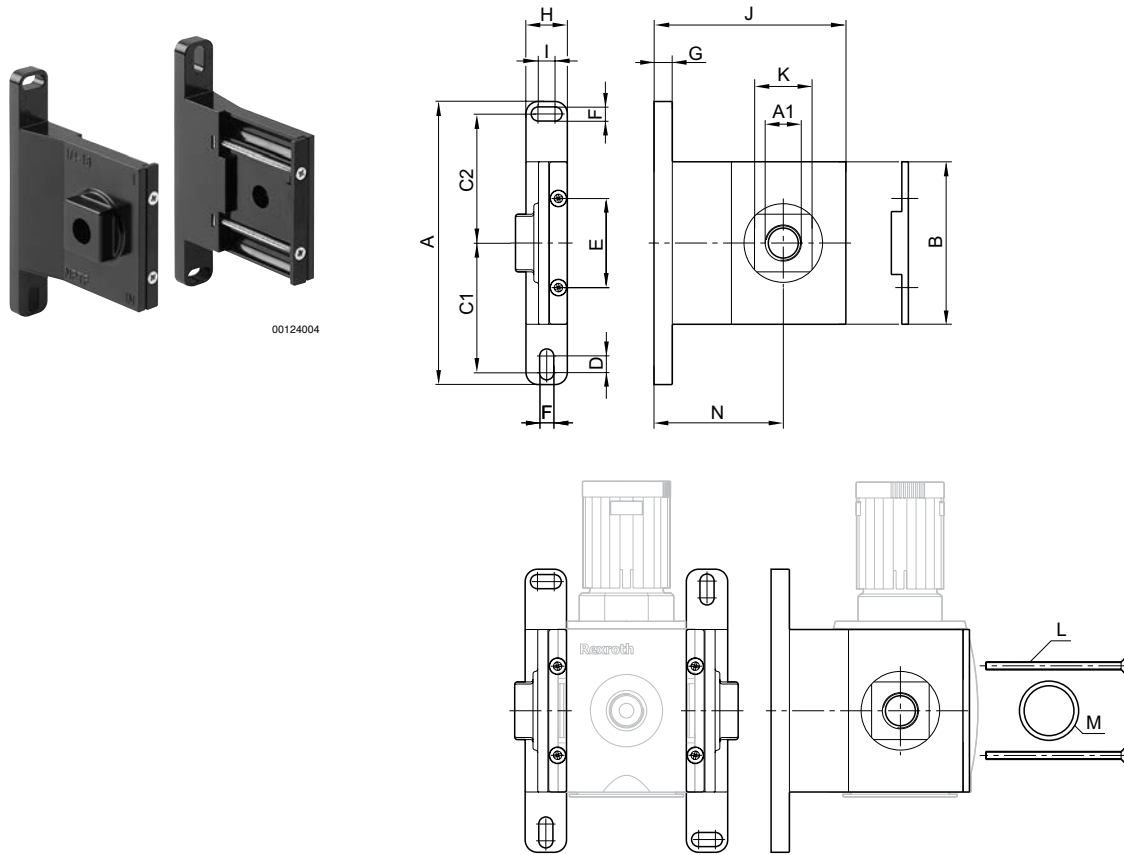


Accessories

**Block assembly kit, Series AS2-MBR-...-W05**

▶ 1/4 NPTF - 3/8 NPTF



00131790

**Dimensions in inches**

Part No.	A1	A	B	C1	C2	D	E	F	G	H	I	J
R432000729	1/4 NPT	4.25	2.44	1.94	1.94	0.25	1.34	0.21	0.28	0.63	0.25	2.87
R432000730	3/8 NPT	4.25	2.44	1.94	1.94	0.25	1.34	0.21	0.28	0.63	0.25	2.87

Part No.	K	L	M	N	Material	Material Seal	Weight [kg]
R432000729	0.87	M3x2,09	0,75x0,07	1.94	Die cast zinc	Acrylonitrile Butadiene Rubber	0.475
R432000730	0.87	M3x2,09	0,75x0,07	1.94	Die cast zinc	Acrylonitrile Butadiene Rubber	0.475

Scope of delivery incl. 4 mounting screws M3x53-4.8-A2R according to EN ISO 7046-1 (countersunk screw with type H X-slot), 2x O-ring

This/these pneumatic component(s) with NPTF or inch thread dimensions are only available from our US sales organization: [www.aventics.com/us](http://www.aventics.com/us)