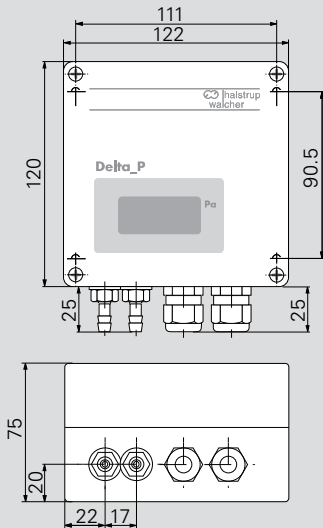




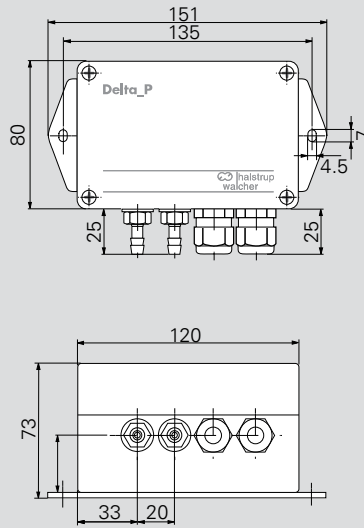
Features

- Differential pressure transmitter with linear curve for air-conditioning applications
- Also available as a two-wire system ("PIZ" model)
- Also for \pm measurement ranges and asymmetric measurement ranges
- With optional LCD

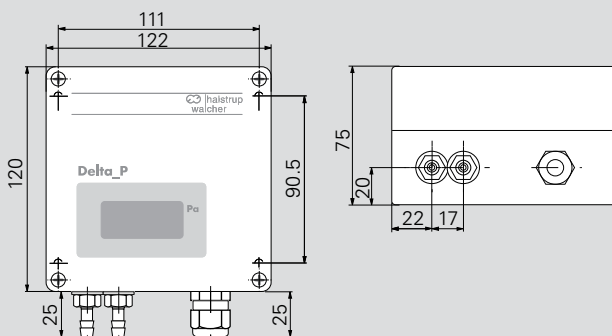
PU/PI with display



PU/PI without display



PIZ with display



Measurement ranges (also \pm measurement ranges) others available upon request	50/100/250/500 Pa 1/2.5/5/10/20/50/100 kPa
Margin of error (0.3 Pa margin of error for the reference)	0.2 % of max. value only for measurement ranges ≥ 250 Pa OR 0.5 % of max. value, min. 0.3 Pa or 1 % of max. value
Temperature coefficient span	0.04 % of max. value/K (10 .. 60°C)
Temperature coefficient zero point	0.04 % of max. value/K (10 .. 60°C)
Zero point stability	0.5 % of max. value/year
Overload capacity	10 x for measurement ranges ≤ 20 kPa 2 x for measurement ranges > 20 kPa
Medium	Air, all non-aggressive gases
Max. system pressure	10 kPa for measurement ranges ≤ 10 kPa Max. nominal pressure of the sensor for measurement ranges above 10 kPa
Sensor response time	20 ms
Operating temperature	10 .. 60°C
Storage temperature	-10 .. 70°C
Power consumption	PU/PI: approx. 3 VA PIZ: max. 0.6 VA
Weight	approx. 0.8 kg
Cable glands others available upon request	PU/PI: 2xPG 7 PIZ: 1xPG 7
Pressure ports	for tubing NW 6 mm
Protection class	IP 65
Certificates	CE, CSA (only for PU/PI)

Output	A
0 .. 10 V ($R_L \geq 2$ k Ω)	U
0 .. 20 mA ($R_L \leq 500$ Ω)	I0
4 .. 20 mA ($R_L \leq 500$ Ω)	I4
4 .. 20 mA two-wire ($R_L \leq 50$ [UB (V) -10 (V)] Ω)	IZ

Measurement range	B
Measurement range e.g. 0 .. 100 Pa, 0 .. 60 mbar, ± 110 mmHg (etc.)	

Margin of error	C
0.2 % of max. value only for measurement ranges ≥ 250 Pa	02
0.5 % of max. value min. 0.3 Pa	05
1 % of max. value	1

Supply voltage	D
24 VDC, +20 % / -15 % ¹⁾	24D
24 VAC, +6 % / -15 % (50/60 Hz) ¹⁾	24A
115 VAC, +6 % / -15 % (50/60 Hz) ¹⁾	115
230 VAC, +6 % / -15 % (50/60 Hz) ¹⁾	230
10 .. 32 VDC (two-wire system)	PIZ

¹⁾ not for PIZ

Time constant	E
none	0
1 s	1
2 s	2
5 s	5

LCD	F
none	0
3 ½ digit (see foto)	3
4 ½ digit (only for PU/PI)	4

Order code	A	B	C	D	E	F
P	-	-	-	-	-	-

Relay parameter can be pre-set on request.