





# TWISTLOC

## Quick-change nozzle system

### Lechler TWISTLOC - nozzle changing in less than no time.

The quick-change nozzle system makes you save time and money.

#### Quick:

For putting in or taking out a nozzle, just give it a twist.

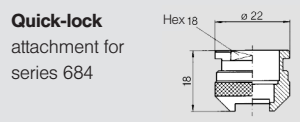
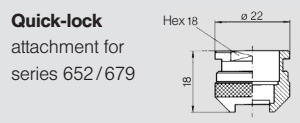
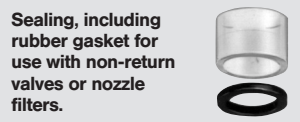
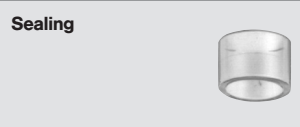
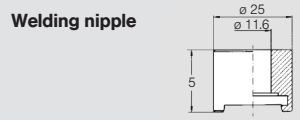
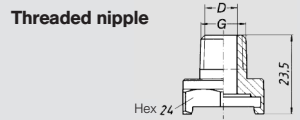
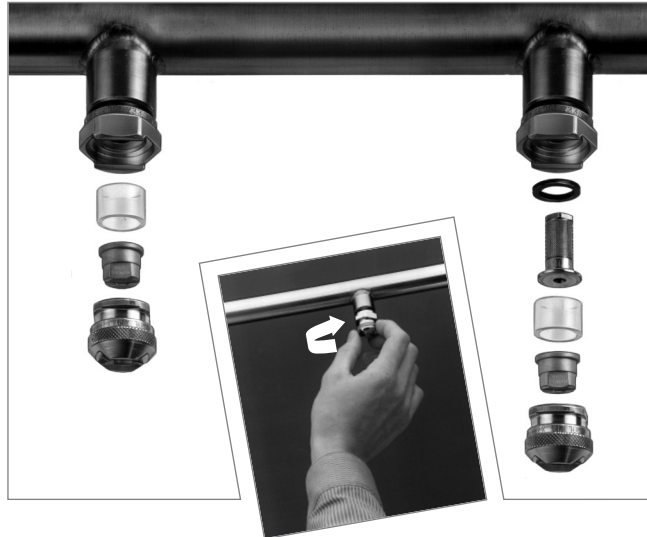
#### Easy:

Without tool, just with one hand, even at locations hard to get at and under bad lighting conditions.

#### Safe:

Constant pre-setting of the nozzle to the correct direction prevents any assembling errors.

**Max. pressure:** 15 bar.

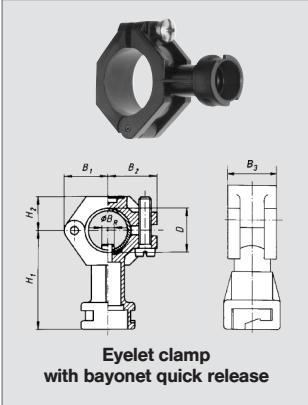


Type	Ordering no.									Inside- ø D [mm]
	Material no.						Code			
	1C	16	30	5E	7A	7E	1/4 BSPT	3/8 BSPT	Welding connection	
	AISI 304	AISI 303	Brass	PVDF	Viton	Silicon				
092. 102	-	●	●	-	-	-	CC	-	-	8.0
	-	●	●	-	-	-	-	CE	-	11.6
	-	-	-	●	-	-	-	CE	-	8.0
092.104	●	-	-	-	-	-	-	-	00	11.6
092. 113	-	-	-	-	●	●	-	-	-	-
092. 116	-	-	-	-	●	●	-	-	-	-
092. 106	-	●	●	●	-	-	-	-	-	-
092. 108	-	●	●	●	-	-	-	-	-	-

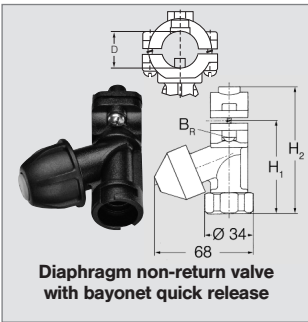


# Accessories

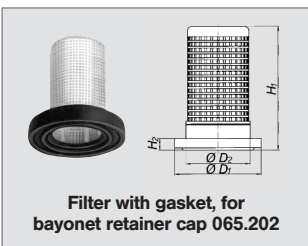
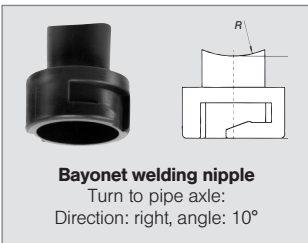
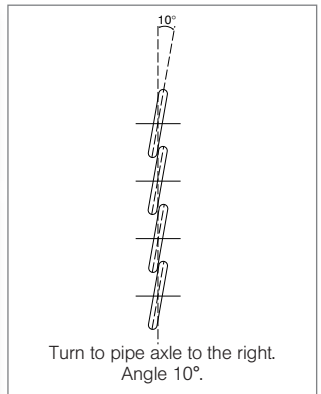
## Bayonet quick release system



For series	Ordering no.					Screw (Material)	Pipe ø	D ø [mm]	Opening pressure [bar]	Closing pressure [bar]	Dimensions [mm]						Weight	
	Type	Material no.									Code	H <sub>1</sub>	H <sub>2</sub>	B <sub>R</sub> ø	B <sub>1</sub>	B <sub>2</sub>		B <sub>3</sub>
		51	53	5E	56													
302 Bayonet 422 Bayonet / 2TR 468/548/646 652/679/684	090.003	○	○	○	-	KA	303 SS	1/2"	20-22.0	-	-	49.5	16.5	6.2	21.2	23.8	18.5	22g
	090.013	○	○	○	-	KA	303 SS	3/4"	25-27.5	-	-	52.5	17.5	7.8	24.5	26.5	22.0	26g
	090.023	○	○	○	-	KA	303 SS	1"	32-34.5	-	-	57.0	21.0	10.8	30.0	31.0	22.0	32g
302 Bayonet 422 Bayonet 2TR/468/548/646 652/679/684	065.272	-	-	-	○	KH	303 SS	1/2"	20-22.0	0.8	0.6	59	84	6.0	-	-	-	48g
	065.272	-	-	-	○	KL	303 SS	3/4"	25-27.5	0.8	0.6	66	90	9.6	-	-	-	53g



For series	Ordering no.	Material	Dimensions [mm]	
			L	R
302 Bayonet 422 Bayonet 2TR/468/548/646 652/679/684	095.016.50.08.05	PVC	25	16
	095.016.53.08.05	PP	25	16



For nozzle size	Ordering no.		Mesh width [mm]	Colour	Dimensions [mm]				Weight
	Type	Mat.-no.			H <sub>1</sub>	H <sub>2</sub>	D <sub>1</sub>	D <sub>2</sub>	
		7J POM/ Santoprene							
xxx.32x-xxx.44x	065.268	○	0.25	blue	21.5	2.5	18.0	11.0	2 g
xxx.48x-xxx.56x	065.269	○	0.65	red	21.5	2.5	18.0	11.0	2 g

**Example for ordering:** Type + Material no. + Code = Ordering no.  
090.003 + 51 + KA = 090.003.51.KA

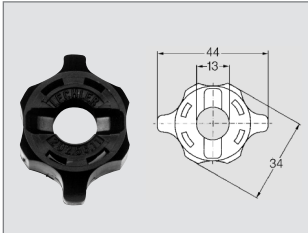
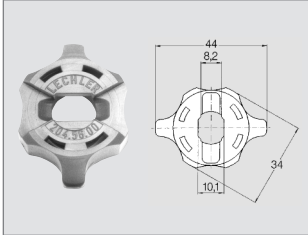




## Accessories

### Bayonet quick release system

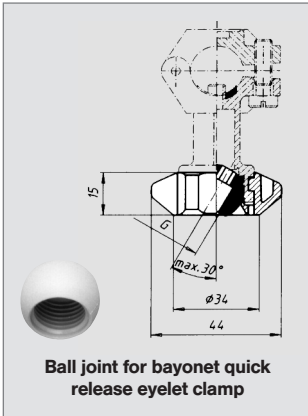
**Bayonet quick release retainer caps**  
incl. gasket 065. 242. 73  
(Material: rubber)



For series	Ordering no.		Material	Colour
	Type	Mat.-no.		
652/679		<b>065. 202. 56. 00</b>	POM	red
		<b>065. 202. 53. 00</b>	Polypropylene	grey
		<b>065. 202. 5E. 00</b>	PVDF	blue
2TR/468/548/684		<b>065. 202. 56. 11</b>	POM	black
		<b>065. 202. 53. 11</b>	Polypropylene	grey

### Ball joint for bayonet quick release system

**Inexpensive ball joint system for nozzles with 1/8" and 1/4" male thread.**



For series	Ordering no.			Colour	
	Type	Mat.-no.	Code		
					5E
		PVDF	1/8 BSPP	1/4 BSPP	
For all nozzles with 1/8" or 1/4" male thread.	<b>092. 150</b>	○	<b>AB</b>	<b>AD</b>	blue



For series	Ordering no.		Material	Colour
	Type	Mat.-no.		
For ball joint		<b>092. 150. 5E. 00</b>	PVDF	blue

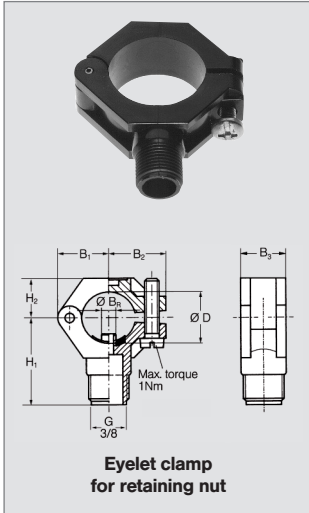
Pressure/Temperature

T	P <sub>max</sub>
65 °C	10 bar
80 °C	8 bar
100 °C	4 bar

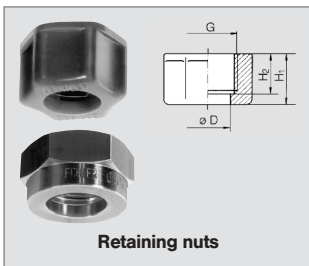
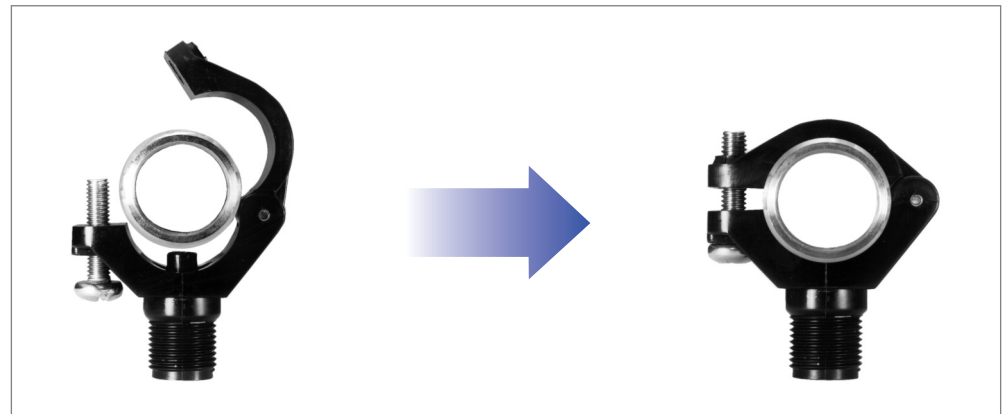


## Accessories

### Eyelet clamps / Retaining nuts



For series	Ordering no.				Screw	Dimensions [mm]										Weight (Polyamid)
	Type	Material no.				BSP	Pipe ø	D ø	B <sub>R</sub> ø	B <sub>1</sub>	B <sub>2</sub>	B <sub>3</sub>	H <sub>1</sub>	H <sub>2</sub>		
		51	53	5E												
2TR/216/302/308/350 468/548/679/684/652	090.053	○	○	○	Material 303 SS	3/8	3/8"	16.5-18.0	6.2	19.0	22.0	18.5	34.5	14.5	20 g	
	090.003	○	○	○		3/8	1/2"	20-22.0	6.2	21.2	23.8	18.5	36.5	16.5	20 g	
	090.013	○	○	○		3/8	3/4"	25-27.5	7.8	24.5	26.5	22.0	39.5	17.5	25 g	
	090.023	○	○	○		3/8	1"	32-34.5	10.8	30.0	31.0	22.0	44.0	21.0	32 g	
	090.033	○	○	○		3/8	1 1/4"	40-43.0	12.8	34.0	35.5	25.0	48.0	25.0	38 g	

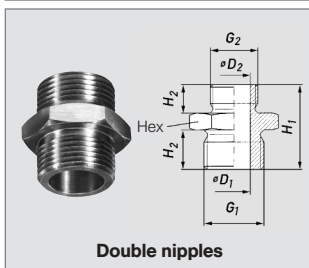
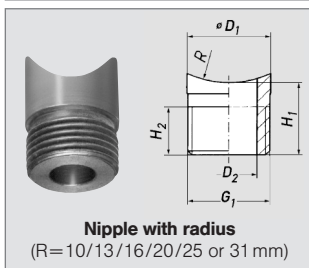
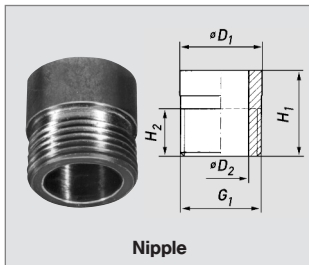
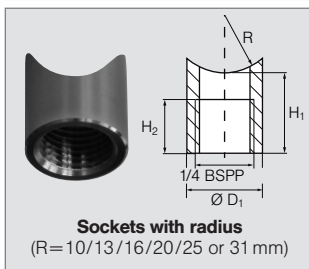
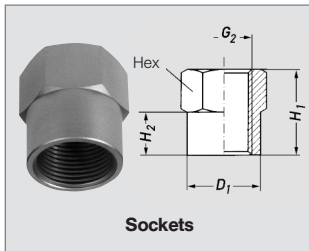


For series	Ordering no.					Dimensions [mm]					Weight (Brass)	
	Type	Material no.				BSP	H <sub>1</sub>	H <sub>2</sub>	D	Hex		
		16	17	30	56							5E
2TR/468/548 652/660/679 684	065.200	○	○	○	-	-	3/8	13.0	10.0	12.8	22	25 g
	065.200	-	-	-	○	○	3/8	14.5	11.5	12.8	22	
	069.000	○	○	○	-	-	UNF 11/16	13.0	10.0	12.8	22	
656/657 664/665	065.600	○	○	○	-	○	3/8	16.0	13.0	20.1	32	60 g

For filters and non-return valves please refer to page 9.8

Example for ordering: Type 090.053 + Material no. 51 = Ordering no. 090.053.51





For series	Ordering no.					Dimensions [mm]							Weight (Brass)	
	Type	Material no.					G <sub>1</sub>	G <sub>2</sub>	H <sub>1</sub>	H <sub>2</sub>	D <sub>1</sub>	D <sub>2</sub>		Hex
		02	1Y	17	30	53								
Steel	AISI 316L	AISI 316Ti	Brass	Polypropylene										
For all nozzles with 1/8" male thread.	040. 270	-	○	-	○	-	1/8 BSPP	20	10	13.8	-	14	20 g	
	061. 220	-	○	-	○	-	1/4 BSPP	20	10	16.8	-	17	25 g	
For all nozzles with 3/8" male thread.	040. 271	-	-	○	○	-	3/8 BSPP	20	10	21.5	-	22	25 g	
	040. 271	-	-	-	-	○	3/8 BSPP	20	10	24.5	-	22	25 g	
For all nozzles with 1/4" male thread.	040.228. xx.yy*	-	○	-	-	-	1/4 BSPP	-	18	12	17	-	16 g	
2TR/216/302 308/350/548/468 679/684/652	065. 210	○	-	○	○	○	3/8 BSPP	-	18	10	17.2	11.5	-	20 g
	065. 610	○	-	○	-	○	3/4 BSPP	-	27	14	28	18	-	61 g
2TR/216/302/308/350 548/468/679/684/652	065. 217. xx. yy*	-	-	○	-	-	3/8 BSPP	-	18	10	17.2	11.5	-	20 g
2TR/216/302/308 350/548/468 679/684/652	065. 215 <sup>1)</sup>	-	-	○	○	-	3/8 BSPP	1/4 BSPP	25	10	10	7	22	30 g
	065. 211	-	-	○	○	-	3/8 BSPP	3/8 BSPP	25	10	11.5	-	22	25 g
	065. 611	-	-	○	○	-	3/4 BSPP	3/4 BSPP	35	14	18	-	32	90 g

\* Replace **xx** by material no. and **yy** by radius R

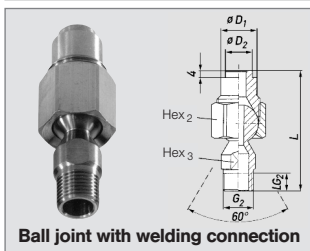
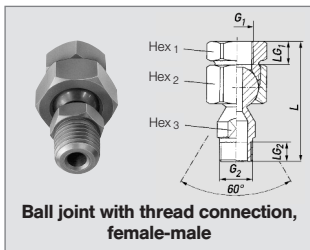
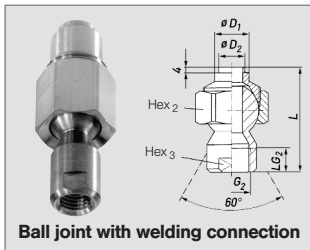
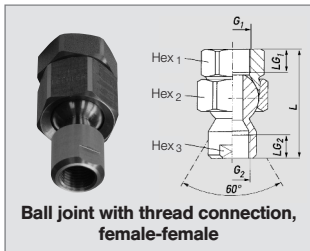
<sup>1)</sup> Not to be used with non-return valve or filter.



# Accessories

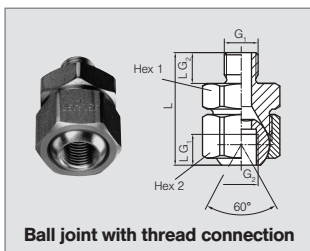
## Ball joints

Allround swivelling action of 30°.  
 No sealings, no wear.  
 Long service life even after many adjustments.  
 P<sub>max</sub>: 25 bar.



For series	Ordering no.				Dimensions [mm]											Weight (Brass)
	Type	Material no.			Code	D <sub>1</sub>	D <sub>2</sub>	G <sub>1</sub> BSPP	G <sub>2</sub> BSPP	L <sub>G1</sub>	L <sub>G2</sub>	L	Hex <sub>1</sub>	Hex <sub>2</sub>	Hex <sub>3</sub>	
		16 AISI 303/AISI316Ti	16 AISI 303	30 Brass												
For all nozzles with 1/4" male thread.	092.020	-	○	○	AD	-	-	1/4	1/4	12.0	11.5	60.3	27	27	17	60 g
	092.021	-	○	○	AF	-	-	3/8	1/4	12.0	11.5	58.3	27	27	17	80 g
For all nozzles with 3/8" male thread.	092.030	-	○	○	AF	-	-	3/8	3/8	12.0	12.0	56.7	27	30	19	80 g
For all nozzles with 1/4" male thread.	092.020	○	-	-	SD	20.0	15.0	-	1/4	-	11.5	64.3	-	27	17	60 g
	092.030	○	-	-	SF	22.0	15.0	-	3/8	-	12.0	58.7	-	30	19	80 g
2TR/216/302/308/350 548/468/679/684/652	092.022	-	○	○	AD	-	-	1/4	3/8	12.0	10.0	63.8	27	27	17	80 g
	092.022	-	○	○	AF	-	-	3/8	3/8	12.0	10.0	61.8	27	27	17	85 g
2TR/216/302/308/350 548/468/679/684/652	092.022	○	-	-	SE	20.0	15.0	-	3/8	-	10.0	67.8	-	27	17	80 g

## Compact ball joints for narrow installation conditions



For all nozzles with 1/8" male thread.	092.010	-	○	○	AA	-	-	1/8	1/8	8.0	8.0	29.3	22	24	-	70 g
For all nozzles with 1/4" male thread.	092.024	-	○	○	AC	-	-	1/4	1/4	12.0	12.0	44	27	27	-	140 g
For all nozzles with 3/8" male thread.	092.030	-	○	○	AE	-	-	3/8	3/8	12.0	12.0	44	27	30	-	160 g

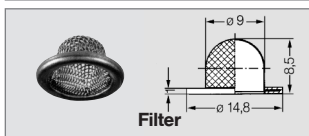
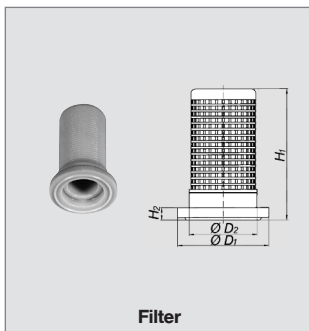
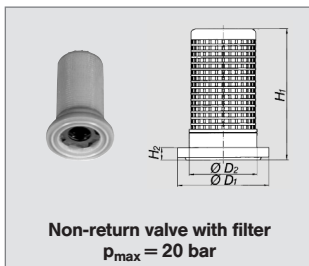
Example for ordering: Type + Material no. + Code = Ordering no.  
 092.020 + 16 + AD = 092.020.16.AD





# Accessories

## Non-return valves / filters



For nozzle size	Ordering no.		56	26	Colour	Opening pressure [bar]	Closing pressure [bar]	Mesh size [mm]	Dimensions [mm]				Weight
	Type	Mat.-no.							H <sub>1</sub>	H <sub>2</sub>	D <sub>1</sub>	D <sub>2</sub>	
xxx.32x- xxx.44x	<b>065.265</b>		○	-	blue	0.5-1.0	0.4-0.9	0.25	21.5	2.0	14.8	11.0	2 g
	Ball 1.4034 Spring 1.4310												
xxx.48x- xxx.56x	<b>065.266</b>		○	-	red	0.4-0.5	0.35-0.45	0.65	21.5	2.0	14.8	11.0	2 g
	Ball 1.4034 Spring 1.4310												
xxx.32x- xxx.44x	<b>065.257</b>		○	-	blue	-	-	0.25	21.5	2.0	14.8	11.0	2 g
xxx.48x- xxx.56x	<b>065.256</b>		○	-	red	-	-	0.65	21.5	2.0	14.8	11.0	2 g
xxx.32x- xxx.44x	<b>065.252</b>		-	○	-	-	-	0.50	8.5	1.0	14.8	9.0	1 g





## Accessories

### Gaskets / Teflon sealing tape



For series	For nozzle size	Ordering no.				Dimensions [mm]	Weight ca.	
		Type	Material no.					
			55 PTFE	71 Cu. ISOPL 750	72 EWP 210 (asbestos free)			73 Soft rubber
610	1/8 BSPP	<b>061. 040</b>	-	-	○	-	∅ 10 x ∅ 14 x 1	0.13 g
212/612	1/4 BSPP	<b>061. 240</b>	○	○*	○	-	∅ 13.2 x ∅ 17 x 1(*2)	0.20 g
460/461 616/617 689	3/4 BSPP	<b>061. 640</b>	-	○*	○	-	∅ 26.5 x ∅ 32 x 1(*2.5)	0.50 g
461	1 1/4 BSPP	<b>062. 140</b>	-	-	○	-	∅ 42 x ∅ 50 x 1	1.20 g
461	2 BSPP	<b>062. 540</b>	-	-	○	-	∅ 60 x ∅ 70 x 2	3.92 g
468/652 679/684	retaining nut 3/8"	<b>065. 240</b>	○	-	○	○	∅ 11 x ∅ 15 x 1	0.14 g
656/657	retaining nut 3/4"	<b>065. 640</b>	-	-	○	-	∅ 18 x ∅ 24 x 1	0.50 g

<b>Teflon sealing tape</b> for connecting cylindrical female threads and conical male threads.	<b>Ordering no. 095. 009. 55. 09. 30.0</b>	Dimensions: 12 mm x 0.1 mm x 12 m
---------------------------------------------------------------------------------------------------	--------------------------------------------	--------------------------------------

**Example for ordering:**    Type    +    Material no.    =    Ordering no.  
                                   061. 040    +        72                    =        061. 040. 72

